

# SL1680 Embedded IoT Processor

## Electrical Specification Datasheet

PN: 505-001413-01 Rev A

## Overview



The Synaptics SL-Series of embedded processors is a family of highly integrated AI-native Linux<sup>®</sup> and Android<sup>™</sup> SoCs optimized for multi-modal consumer, enterprise, and industrial IoT workloads with hardware accelerators for

edge inferencing, security, video, graphics, and audio.

The Synaptics SL1680 SoC incorporates multiple high-performance compute engines including a quad-core Arm<sup>®</sup>64 CPU subsystem, multi-TOPS NPU, GPU for advanced graphics and AI acceleration, and multimedia for image signal processing (ISP), 4K video encode/decode, and audio.

The SL1680 supports the Synaptics Astra IoT platform, delivering a unified experience through standards-based approaches, open software frameworks, full-featured AI toolkits, and market-ready evaluation systems.

In combination with Synaptics' best-in-class wireless connectivity portfolio, the SL1680 enables cost-optimized system solutions with performance-per-watt benefits for the IoT.

## Features

### CPU

- **Quad-Core Arm<sup>®</sup> Cortex<sup>®</sup>-A73 processor with Security Extensions**
- **Up to 2.1 GHz for each CPU, delivering up to 40000 DMIPS**
  - Support for power-gating individual cores and dynamic voltage and frequency scaling
- **Each processor has 64KB I-cache and 32KB D-Cache**
- **Each processor has dedicated Arm NEON<sup>™</sup> technology/VFPU**
  - 32 128-bit SIMD registers, crypto instructions
- **1 MB shared L2 Cache**

- **Arm CoreSight<sup>™</sup> technology-compatible debugging interface**
- **TrustZone<sup>®</sup> technology**
- **Supports standard tool chains (ARM, GNU)**

### Memory Interface

- **DRAM controller**
  - 64-bit LPDDR4/LPDDR4x-3733
  - Supports optional 32-bit DDR configuration
  - Supports up to 4 GB memory space
  - Supports out-of-order issue of transactions to maximize DRAM utilization rate
  - Secure control
- **eMMC 5.1 Controller**
  - x1, x4 or x8-bit interface

### Neural Processing Unit

- **Dedicated hardware for localized NN/machine learning applications**
  - Up to 7.9+ TOPS
- **Support for multiple DNN frameworks and optimized for TensorFlow<sup>™</sup> Lite inferencing via the SYNAP<sup>™</sup> toolkit**

### Multi-Standard Video Decoding

- **Video decoding**
  - AV1 Main Profile (8- or 10-bit, YUV 4:2:0) 2160p60
  - H.265 main 8-bit and 10-bit (ITU-R BT.2020)
  - VP9 Profiles 0 and 2 (8- or 10-bit, YUV 4:2:2)
  - H.264 Baseline, Main and High Profiles; MVC (Multiview Video Coding)
  - MPEG-2 Simple and Main Profiles
  - VP8
- **Flexible support for PIP (2160p60/2160p60) and Multi-View (1 x 2160p60 and 3 x 1080p60)**
- **Support for single-stream 2160p H.265/VP9 decode that can reach up to 90-100 fps**
- **Support for up to 1080p120 single-stream decode**
- **Still Picture - H.264, MPEG2 I picture decode**

## Multi-Standard Video Encoding/ Transcoding

- **Support for up to two streams encoding:**
  - 1080p60: H.264 or VP8 (per stream)
- **Support for simultaneous 2160p60 decode and 1080p60 transcode**

## Audio Decoding/Processing

- **Far-Field Voice (FFV) & Keyword Detection**
- **Microphone(s) input processing supported**
- **Audio decompression of various formats supported**
- **Audio post-processing**

## 2D & 3D Graphics

- **GPU based graphics engine (Imagination™ PowerVR™ Series9XE GE9920)**
  - HDR-enabled
  - Geometry shader and Tessellation shader included
  - Support for OpenGL® ES™ 1.1/2.0/3.0/3.1/3.2/ DirectFB/OpenCL™ 1.2 / Vulkan® 1.1
  - Support for Android Extension Pack
  - Up to 3840x2160 resolution
  - 3D capable
  - 5.6 G pixels/s
  - 200 M polygons/s
  - 89.6 16-bit GFLOPS, 44.8 32-bit GFLOPS

## Video/Graphics Display Pipeline with QDEO™

- **Two independent display output paths:**
  - Display path #1:
    - Output after MP/GFX0(or PIP)/GFX1 overlay
    - Output through HDMI Tx (up to 2160p60) / DSI (up to 2160p30)
    - Supports gamma correction and low-latency mode (for both source/sink devices)
  - Display path #2:
    - Output from GFX0(or PIP)/GFX1/GFX2 selection
    - 1080p60 output through DSI only
    - Supports gamma correction
- **MP:**
  - Any conversion between SDR and HDR (HDR10, HLG)
  - Scaling up and scaling down
  - Detail and edge enhancement
  - Flesh tone detection

- Luma and Chroma transition improvement
- Adaptive contrast enhancement
- Intelligent color re-mapper (chroma enhancement)
- 90/180/270 rotation
- Horizontal and vertical flip
- Compression artifact reduction
- Local dimming
- Gamma correction
- **GFX0 (or PIP) / GFX1:**
  - Scaling up only
  - Any conversion between SDR and HDR (HDR10, HLG)
- **GFX2:**
  - Scaling up only
  - Offline video pipeline (OVP):
    - Offline deinterlacer
    - Offline scalar (up and down)

## Security

- **250MHz Secure CPU (Arm Cortex®-M3)**
- **Secure boot with RSA digital signature verification from eMMC and SPI NOR Flash**
- **On chip 32Kbit OTP**
- **True random number generator**
- **DRM engine supports**
  - AES, DES, 3DES, RSA, ECC
- **Disable / enable JTAG through authentication**
- **Memory and I/O space access control**
- **DRAM scrambling support**

## Audio / Video Outputs

- **MIPI DSI<sup>SM</sup> v1.2 output**
  - 1 x 4-lane
  - Supports up to 2160p30
- **One HDMI v2.1 output**
  - HDMI 2.1-compliant HDR schemes, including HDR10+
  - Up to 2160p60 YUV 4:4:4
  - Up to 1080p60 with 12b deep color
  - HDCP 2.3
  - HBR output
  - CEC
  - ARC Rx and eARC Rx
  - Variable Refresh Rate (VRR)
  - Auto Lip Sync Correction
  - Supports Quick Media Switching (QMS), Quick Frame Transport (QFT), and Auto Low-Latency Mode (ALLM)

- 8-channel I<sup>2</sup>S output
- 2-channel I<sup>2</sup>S/PCM output or 8-channel TDM output
- S/PDIF output

## Audio / Video Inputs

- MIPI CSI2<sup>SM</sup> v1.2 input
  - 1 x 2-lane, 1 x 4-lane
  - Supports up to 2160p60 (one camera) or 2 x 2160p30 (two cameras)
  - 8MP + 4MP dual-sensor support
  - Integrated ISP
    - Up to two cameras support
    - Input pixel format: RAW (RGGB), 10/12-bit per pixel
    - Output pixel format: YUV420/422/444, 8/10-bit; RGB444, 8/10-bit; RAW, 10/12-bit
- One HDMI v2.1 input
  - HDR10 and HLG
  - Up to 2160p60 YUV 4:4:4
  - Up to 1080p60 with 12b deep color
  - HDCP 2.3
  - HBR audio input
  - CEC
  - Dynamic HDR Metadata feature / HDR10+
  - Variable Refresh Rate (VRR)
  - Auto Lip Sync Correction
  - Supports Quick Media Switching (QMS), Quick Frame Transport (QFT), Auto Low-Latency Mode (ALLM)
- 8-channel I<sup>2</sup>S
- 2-channel I<sup>2</sup>S/PCM input or 8-channel TDM input
- 4 x 2-channel PDM (microphone) input
- S/PDIF input

## Standby Mode System Manager

- 25MHz Arm<sup>®</sup> Cortex<sup>®</sup>-M3 (ARMv7-M compatible)
- 128KB TCM for instruction/data, 4KB secure RAM
- Separate power island with front panel controlling I/O, ADC, SPI, UART, Temperature sensor and wake-up event logic
- Multiple GPIOs in standby mode
- Always-on domain to support system wake-up events:
  - Wake-on-Voice

- Wake-on-LAN
- Wake-on-CEC
- IR remote
- Front-panel key presses through ADC or GPIO
- Wake-on-Wi-Fi through GPIO
- Wake-on-Bluetooth<sup>®</sup> through GPIO
- ZigBee through GPIO
- Timer

## Peripherals

- One dual-lane PCI Express<sup>®</sup> 2.0 root complex
- One Gigabit Ethernet MAC
  - RGMII interface for connection to an external Gb Ethernet PHY or G.hn
- One USB 3.0 host interface
- One USB 2.0 On-The-Go (OTG) interface
- One SDIO 3.01 host interface up to 200 MHz
- Four TWSI 2-wire bus (I2C compatible)
- Two high-speed UART interfaces
- Two low-speed UART interfaces (in always-on power domain)
- Two SPI interfaces (one with DMA)
- 32-bit pin-shared standby domain GPIOs
- 96-bit pin-shared standard mode GPIOs
- Four PWM
- Single-channel 100kHz front panel ADC
- IR receiver input
- Two on-chip temperature sensors

## Power, Package and Layout

- Package: 17mm x 17mm
  - FCBGA, 0.4mm ball pitch
  - Ball pattern supports standard PCB fab rules (no HDI rules required)

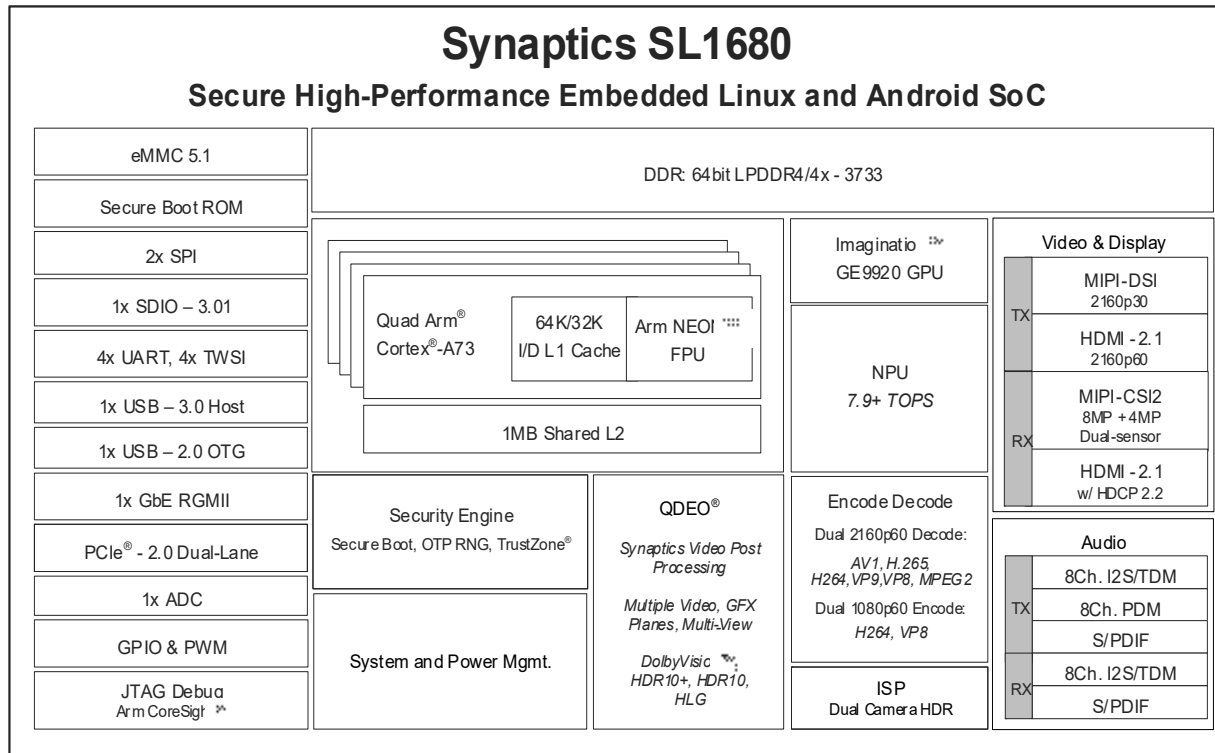


Figure 1. SL1680 High-level block diagram

# Contents

Overview	1
Features	1
1. Signal Description	10
1.1. SL1680 Pinout	11
1.2. Pin Descriptions	17
2. Pin Multiplexing	35
2.1. Pin Multiplexing Signal Descriptions	35
2.2. Pin Multiplexing Modes	43
3. Electrical Specifications	47
3.1. Absolute Maximum Ratings	47
3.2. Recommended Operating Conditions	48
3.2.1. Power-up Sequence	49
3.3. Crystal Specifications	50
3.4. Thermal Conditions for the SL1680 Device 605-pin BGA Package	51
3.5. AC and DC Electrical Characteristics	52
3.5.1. Digital Pins Operating Conditions	52
3.5.2. SD, SDIO Timing	58
3.5.3. Two-Wire Serial Interface (TWSI) Timing	61
3.5.4. RGMII Timing	62
3.5.5. SPI Timing	64
3.5.6. UART Timing	66
3.5.7. JTAG Timing	67
3.5.8. Transport Stream Serial Input Timing	68
3.5.9. I2S Timing	69
3.5.10. Pulse-Width Modulation (PWM) Timing	71
3.5.11. ADC Inputs	71
3.5.12. USB 2.0 Timing	72
3.5.13. PCIe Timing	74
3.5.14. HDMI TX	75
3.5.15. HDMI RX	77
3.5.16. LPDDR4 Timing	78
3.5.17. eMMC Timing	78
3.5.18. Pulse Density Modulation	81
3.5.19. MIPI DSI Characteristics	83
3.5.20. MIPI CSI Characteristics	86
4. Mechanical Drawing	89
4.1. SL1680 Package Drawing	89
5. Part Order Numbering / Package Marking	92
5.1. Part Order Numbering	92
5.2. Package Marking	92
6. References	93
7. Revision History	94

## List of Tables

Table 1.	Pin Type Definitions . . . . .	10
Table 2.	Interface Prefixes . . . . .	10
Table 3.	SL1680 Pinouts Top View (1 of 6) . . . . .	11
Table 4.	SL1680 Pinouts Top View (2 of 6) . . . . .	12
Table 5.	SL1680 Pinouts Top View (3 of 6) . . . . .	13
Table 6.	SL1680 Pinouts Top View (4 of 6) . . . . .	14
Table 7.	SL1680 Pinouts Top View (5 of 6) . . . . .	15
Table 8.	SL1680 Pinouts Top View (6 of 6) . . . . .	16
Table 9.	USB2.0 Interface . . . . .	17
Table 10.	HDMI TX Enhanced DDC Interface . . . . .	19
Table 11.	Serial Transport 0 Interface . . . . .	19
Table 12.	Serial Transport 1 Interface . . . . .	19
Table 13.	Audio I2S Interface and S/PDIF Output . . . . .	19
Table 14.	Audio I2S Interface 2 . . . . .	19
Table 15.	Audio I2S Interface 3 . . . . .	20
Table 16.	LPDDR4 Interface Reset . . . . .	20
Table 17.	LPDDR4 Interface M0 16-bit . . . . .	21
Table 18.	LPDDR4 Interface M1 16-bit . . . . .	22
Table 19.	LPDDR4 Interface M2 16-bit . . . . .	23
Table 20.	LPDDR4 Interface M3 16-bit . . . . .	24
Table 21.	LPDDR4 Others . . . . .	25
Table 22.	HDMI CEC Interface . . . . .	25
Table 23.	HDMI HPD Interface . . . . .	25
Table 24.	HDMI Receiver 5V Sense Interface . . . . .	25
Table 25.	Two-Wire Serial SM Interface . . . . .	25
Table 26.	SoC Two-Wire Serial Interface . . . . .	26
Table 27.	SoC SPI Interface . . . . .	26
Table 28.	eMMC Interface . . . . .	27
Table 29.	SDIO Interface . . . . .	27
Table 30.	SM Analog Interface . . . . .	28
Table 31.	System Manager (SM) Global Interface . . . . .	28
Table 32.	System Manager (SM) SPI Interface . . . . .	28
Table 33.	SM UART Interface . . . . .	29
Table 34.	MIPI Camera Serial Interface (CSI0) Pins . . . . .	29
Table 35.	MIPI Display Serial Interface Pins . . . . .	30
Table 36.	Power - 1.8V . . . . .	30
Table 37.	Power - 3.3V . . . . .	31
Table 38.	Power and Ground Pins . . . . .	32
Table 39.	Not Connected . . . . .	34
Table 40.	Audio MIC PDM . . . . .	35
Table 41.	General Purpose I/O Interface . . . . .	35
Table 42.	PWM Alternate Interfaces . . . . .	37
Table 43.	SM Global Interface . . . . .	38
Table 44.	Serial Transport Interface . . . . .	39
Table 45.	SoC Reset Strapping . . . . .	40

Table 46.	SoC TWSI Interface . . . . .	41
Table 47.	SoC UART Interface . . . . .	41
Table 48.	PHY Debug Interface . . . . .	41
Table 49.	Test/Monitor Interfaces . . . . .	42
Table 50.	SM Group Multiplexing . . . . .	44
Table 51.	SPI Interface Group Multiplexing . . . . .	45
Table 52.	STSI Group Multiplexing . . . . .	45
Table 53.	AVIO_I2S Group Multiplexing . . . . .	46
Table 54.	Absolute Maximum Ratings . . . . .	47
Table 55.	Recommended Operating Conditions . . . . .	48
Table 56.	SL1680 Power-up Requirement. . . . .	49
Table 57.	On-chip Power-on-Reset (PoR) Thresholds . . . . .	49
Table 58.	Crystal Specifications . . . . .	50
Table 59.	Thermal Conditions for the SL1680 Device . . . . .	51
Table 60.	Digital Operating Conditions . . . . .	52
Table 61.	SD, SDIO Default Mode Timing Parameters . . . . .	58
Table 62.	SD, SDIO High-Speed Mode Timing Parameters . . . . .	59
Table 63.	SD, SDIO SDR104 Mode Timing Parameters . . . . .	60
Table 64.	TWSI Standard and Fast Mode Timing. . . . .	61
Table 65.	RGMIII Interface Timing . . . . .	62
Table 66.	SCLK Cycle Time Configurable Range . . . . .	64
Table 67.	Motorola SPI Mode 0/2 Timing . . . . .	64
Table 68.	Motorola SPI Mode 1/3 Timing . . . . .	65
Table 69.	UART Timing. . . . .	66
Table 70.	JTAG Timing . . . . .	67
Table 71.	Transport Stream Serial Input Timing . . . . .	68
Table 72.	I2S Master Mode Timing. . . . .	69
Table 73.	I2S Slave Mode Timing . . . . .	70
Table 74.	PWM Timing. . . . .	71
Table 75.	ADC Electrical Specifications . . . . .	71
Table 76.	USB 2.0 DC Electrical . . . . .	72
Table 77.	USB High-speed Source Electrical Characteristics . . . . .	73
Table 78.	USB Full-speed Source Electrical Characteristics . . . . .	74
Table 79.	HDMI TX DC Operating Conditions for HDMI 1.4b. . . . .	75
Table 80.	HDMI TX DC Characteristics for 3.4Gbps < Rbit ≤ 6.0Gbps at TP1. . . . .	75
Table 81.	HDMI TX AC Operating Conditions for 1.4b . . . . .	76
Table 82.	HDMI TX AC Characteristics for 3.4Gbps < Rbit ≤ 6.0Gbps at TP1 . . . . .	76
Table 83.	HDMI RX DC Operating Conditions at TP2 (for reference only) . . . . .	77
Table 84.	HDMI RX AC Operating Conditions at TP2 (for reference only) . . . . .	77
Table 85.	eMMC Timing - Default Bus . . . . .	78
Table 86.	eMMC Timing - High-Speed Bus . . . . .	79
Table 87.	eMMC Timing - High-Speed Dual Rate Bus . . . . .	80
Table 88.	Pulse Density Modulation (Classic PDM) Timing Parameters - SDR Mode . . . . .	81
Table 89.	Pulse Density Modulation (Half Cycle PDM) Timing Parameters - DDR Mode . . . . .	82
Table 90.	Input DC Specifications. . . . .	83
Table 91.	MIPI DSI HS Line Drivers DC Specifications . . . . .	83
Table 92.	MIPI DSI LP Line Drivers DC Specifications . . . . .	84

Table 93.	MIPI DSI LP Line Receiver DC Specifications . . . . .	84
Table 94.	MIPI DSI Contention Line Receiver DC Specifications . . . . .	84
Table 95.	MIPI DSI Clock Timing . . . . .	85
Table 96.	MIPI DSI HS Line Drivers AC Specifications . . . . .	85
Table 97.	Input DC Specifications . . . . .	86
Table 98.	HS Line Receiver DC Specifications . . . . .	86
Table 99.	LP Line Drivers DC Specifications . . . . .	87
Table 100.	LP Line Receiver DC Specifications . . . . .	87
Table 101.	Contention Line Receiver DC Specifications . . . . .	87
Table 102.	High Speed Clock Timings. . . . .	88
Table 103.	SL1680 Part Order Options . . . . .	92



## List of Figures

Figure 1.	SL1680 High-level block diagram . . . . .	4
Figure 2.	Example of the SM Multiplexed Pin Naming Scheme. . . . .	43
Figure 3.	Example of the SoC Multiplexed Pin Naming Scheme . . . . .	45
Figure 4.	SL1680 Recommended power-up sequence in SoC power domain. . . . .	50
Figure 5.	Timing Diagram Data Input/Output Referenced to Clock (Default). . . . .	58
Figure 6.	Timing Diagram Data Input/Output Referenced to Clock (High-speed and SDR104 mode). . . . .	60
Figure 7.	Two-Wire Serial Interface Timing . . . . .	62
Figure 8.	RGMI Multiplexing and Timing. . . . .	63
Figure 9.	Motorola SPI Mode 0/2 (SCPH = 0). . . . .	65
Figure 10.	Motorola SPI Mode 1/3 (SCPH = 1). . . . .	66
Figure 11.	JTAG Timing . . . . .	67
Figure 12.	Transport Stream Serial Input Timing . . . . .	68
Figure 13.	I2S Master Mode Timing. . . . .	69
Figure 14.	I2S Slave Mode Timing . . . . .	70
Figure 15.	eMMC Timing - Default Bus and High-Speed Bus Interface Timing. . . . .	79
Figure 16.	eMMC Timing - High-Speed Dual Rate Interface Timing. . . . .	80
Figure 17.	PDM Timing - SDR Mode. . . . .	81
Figure 18.	PDM Timing - DDR Mode. . . . .	82
Figure 19.	SL1680 Top View. . . . .	89
Figure 20.	SL1680 Side View . . . . .	90
Figure 21.	SL1680 Bottom View . . . . .	90
Figure 22.	Package Marking and Pin 1 Location . . . . .	92

# 1. Signal Description

Table 1. Pin Type Definitions

Pin Type	Definitions
I	Input only
O	Output only
I/O	Input and output
Analog	Analog Pin
CMOS	Complementary metal oxide semiconductor
SSTL	Stub Series Terminated Logic
PWR	Power Supply
GND	Ground Pin
Iu	Input with internal pull-up
Id	Input with internal pull-down
I/Ood	Input/Output pin, Open-Drain type
I/Ouod	Input/Output pin with internal pull-up, Open-Drain type
I/Odod	Input/Output pin with internal pull-down, Open-Drain type
Ouod	Output pin with internal pull-up, Open-Drain type
Ou	Output pin with internal pull-up
Od	Output pin with internal pull-down

**Note:** A lowercase n at the end of a signal name indicates an active-low signal.

Table 2. Interface Prefixes

Pin Type	Definitions
TWSI	TW_
System Manager	SM_
LPDDR4 memory channel 0, 1, 2, 3	M0_, M1_, M2_, M3_
Serial transport stream interface	STS0_, STS1_

## 1.1. SL1680 Pinout

Due to the large number of pins, the package is depicted graphically over the following 6 pages.

Table 3. SL1680 Pinouts Top View (1 of 6)

	1	2	3	4	5	6	7	8	9	
A	VSS	VSS	M1_DQ[8]							A
B	VSS	VSS	M1_DQ[10]	M1_DM[1]						B
C	M2_DQ[3]	M2_DQ[0]		M1_DQ[11]		M1_DQ[9]		M1_DQ[13]		C
D		M2_DM[0]	M2_DQ[1]							D
E							VSS			E
F			M2_DQ[2]							F
G					VSS					G
H			M2_DQ[4]							H
J										J
K	M2_DQ[6]	M2_DQ[5]	VSS							K
L		M2_DQ[7]	M2_DQ[10]		VSS		M2_DQ[8]		VSS	L
M			M2_DQ[14]							M
N										N
P			M2_DM[1]							P
R					M2_DQ[9]		M2_DQ[11]		M2_DQSN[0]	R
T	M2_DQ[13]	M2_DQ[15]	VSS							T
V		M2_CSN	M2_CKE							V
W			M2_A[3]		VSS		M2_DQ[12]		M2_DQSN[1]	W
Y			M2_A[5]							Y
AB	M2_A[4]	M2_A[1]	VSS							AB
AC					VSS		M2_A[2]		M2_CKN	AC
AD		M3_CKE	M3_CSN							AD
AF			M3_A[0]							AF
AG			M3_A[3]		M3_A[2]		M3_A[1]		VSS	AG
AH	M3_A[5]	M3_DQ[3]	VSS							AH
AK		M3_DQ[1]	M3_DQ[0]							AK
AL					VSS		M3_A[4]		M3_CKN	AL
AM			M3_DQ[2]							AM
AP			M3_DM[0]							AP
AR	M3_DQ[7]	M3_DQ[5]	VSS		VSS		M3_DQ[4]		M3_DQSN[0]	AR
AT		M3_DQ[6]	M3_DQ[11]							AT
AV			M3_DQ[10]							AV
AW					M3_DQ[9]		M3_DQ[12]		M3_DQSP[1]	AW
AY			M3_DQ[8]							AY
BB	M3_DM[1]	M3_DQ[14]	VSS							BB
BC		M3_DQ[15]	M3_DQ[13]		VSS		MIPI_CSIO_ATB		MIPI_CSIO_REXT	BC
BD			MIPI_CSIO_D2N							BD
BF			MIPI_CSIO_D2P							BF
BG					MIPI_CSIO_AVDD1P8		VSS		MIPI_CSI1_REXT	BG
BH	MIPI_CSIO_D3N	MIPI_CSIO_D3P	VSS							BH
BJ										BJ
BK		MIPI_CSIO_D1P	MIPI_CSIO_D1N							BK
BL			MIPI_CSIO_D0N		VSS		MIPI_CSI1_AVDD1P8		USB2_REXT	BL
BM			MIPI_CSIO_D0P							BM
BN										BN
BP	MIPI_CSIO_CKP	MIPI_CSIO_CKN	VSS							BP
BR					VSS		USB2_AVDD3P3			BR
BT		MIPI_CSI1_D0P	MIPI_CSI1_D0N							BT
BU							USB2_VR_AVDD3P3			BU
BV			MIPI_CSI1_D1N							BV
BW			MIPI_CSI1_D1P	USB2_DP		USB3_RXP		USB3_RXN		BW
BY	VSS	VSS	MIPI_CSI1_CKN	USB2_DN						BY
CA	VSS	VSS	MIPI_CSI1_CKP							CA
	1	2	3	4	5	6	7	8	9	

Table 4. SL1680 Pinouts Top View (2 of 6)

	10	11	12	13	14	15	16	18	19	
A	M1_DQ[14]						M1_DQ[5]			A
B	M1_DQ[15]	M1_DQ[3]					M1_DQ[4]	M1_DQ[7]		B
C	VSS	M1_DQ[0]	M1_DQ[2]		M1_DQ[1]		VSS	M1_DQ[6]	M1_A[2]	C
D										D
E		VSS				M1_DM[0]			VSS	E
F										F
G		M1_DQ[12]				VSS			M1_A[3]	G
H										H
J		VSS				M1_DQSP[1]			M1_DQSN[0]	J
K										K
L		VSS				M1_DQSN[1]			M1_DQSP[0]	L
M										M
N				VSS		VDDQ			VDDQ	N
P										P
R		M2_DQSP[0]								R
T										T
V							VDDQ		VSS	V
W		M2_DQSP[1]		VDDQ						W
Y							VSS		VDDQLP	Y
AB										AB
AC		M2_CKP		M2_A[0]						AC
AD							VSS		MO_AVDD1P8	AD
AF									VDDQLP	AF
AG		M2_CAL		VDDQ			VSS		VDDQLP	AG
AH										AH
AK							VSS		VDDQ	AK
AL		M3_CKP		M2_RSTN						AL
AM							VSS		VDDQ	AM
AP										AP
AR		M3_DQSP[0]		VSS			VDDQ	VDDQ	VDDQLP	AR
AT									VDDQLP	AT
AV							VSS		VDD_CORE	AV
AW		M3_DQSN[1]		VSS						AW
AY										AY
BB							VDD_CORE		VSS	BB
BC		MIPI_CSIO_AVDD		VSS						BC
BD							KILOOTP_AVDD1P8		VDD_CORE	BD
BF								VDD_CORE		BF
BG		VSS		MIPI_CSI1_AVDD						BG
BH										BH
BJ						VSS			VDD_CORE	BJ
BK										BK
BL		USB2_VBUS		USB2_ID		USB3_AVDD			VSS	BL
BM										BM
BN		USB2_DVDD				VSS			VSS	BN
BP										BP
BR		USB3_AVDD3P3				USB3_DVDD			PCIE_TX_AVDD[1]	BR
BT										BT
BU		VSS				PCIE_AVDD			VSS	BU
BV										BV
BW	VSS	USB3_DN	PCIE_RX1P		PCIE_RX1N		VSS	PCIE_RX0N	PCIE_TX0N	BW
BY	USB3_TXN	USB3_DP					PCIE_TX1P	PCIE_RX0P		BY
CA	USB3_TXP						PCIE_TX1N			CA
	10	11	12	13	14	15	16	18	19	

Table 5. SL1680 Pinouts Top View (3 of 6)

	20	22	23	24	26	27	28	30	31	32	
A		M1_A[4]					MO_CKE				A
B		M1_A[0]		M1_CSN			MO_CSN	MO_DQ[10]			B
C	M1_A[5]	VSS		M1_CKE	MO_A[3]	MO_A[2]	VSS	MO_DQ[11]		MO_DM[1]	C
D											D
E			VSS			MO_A[5]			VSS		E
F											F
G			M1_A[1]			MO_A[4]			MO_A[0]		G
H											H
J			M1_CKN			MO_RSTN			MO_CKP		J
K											K
L			M1_CKP			MO_CAL			MO_CKN		L
M											M
N			MO_VREF			VDDQ			MO_A[1]		N
P											P
R											R
T											T
V		VSS			VSS		VSS			VDD_CPU	V
W											W
Y		VDDQ			VDDQLP		VDDQ	VDDQ		VSS	Y
AB											AB
AC											AC
AD		VSS			VDDQLP		VDDQLP			VDD_CPU	AD
AF											AF
AG		VSS			VDD_CORE		VSS			VDD_CORE	AG
AH											AH
AK		VSS			VDD_CORE		VSS			VDD_CORE	AK
AL											AL
AM		VSS			VDD_CORE		VSS			VDD_CORE	AM
AP											AP
AR		VDD_CORE			VSS	VSS	VDD_CORE			VSS	AR
AT											AT
AV		VSS			VDD_CORE		VSS			VDD_CORE	AV
AW											AW
AY											AY
BB		VDD_CORE			VSS		VDD_CORE			VSS	BB
BC											BC
BD		VSS			VDD_CORE		VSS			VDD_CORE	BD
BF											BF
BG											BG
BH											BH
BJ			VSS			VDD_CORE			VSS		BJ
BK											BK
BL			USB3_REXT			USB3_ID			PCIE_REXT		BL
BM											BM
BN			USB3_VBUS			PCIE_PLL_AVSS			VSS		BN
BP											BP
BR			PCIE_TX_AVDD[0]			PCIE_PLL_AVDD1P8			PCIE_REFCLK_AVDD		BR
BT											BT
BU			VSS			PCIE_AVDD1P8			VSS		BU
BV											BV
BW	PCIE_TXOP	VSS		MIPI_DSI_D0P	MIPI_DSI_D1N	MIPI_DSI_D1P	VSS	MIPI_DSI_D3P		MIPI_DSI_D2P	BW
BY		PCIE_CLKN		MIPI_DSI_D0N			MIPI_DSI_CKN	MIPI_DSI_D3N			BY
CA		PCIE_CLKP					MIPI_DSI_CKP				CA
	20	22	23	24	26	27	28	30	31	32	

Table 6. SL1680 Pinouts Top View (4 of 6)

	34	35	36	38	39	40	42	43	
A		MO_DQ[14]					MO_DQ[5]		A
B		MO_DQ[12]	MO_DQ[15]				MO_DM[0]	MO_DQ[7]	B
C	MO_DQ[8]	VSS	MO_DQ[13]	MO_DQ[3]		MO_DQ[2]	VSS	MO_DQ[6]	C
D									D
E		VSS			MO_DQ[0]			VSS	E
F									F
G		MO_DQ[9]			MO_DQ[1]			SDIO_VDDIO1P8	G
H									H
J		MO_DQSP[1]			MO_DQSP[0]			MEMPLL_AVDD1P8	J
K									K
L		MO_DQSN[1]			MO_DQSN[0]			MEMPLL_AVSS	L
M									M
N		VSS			MO_DQ[4]			SDIO_DATA[0]	N
P									P
R									R
T									T
V		VSS		VDD_CPU			VSS		V
W									W
Y	VSS	VDD_CPU		VSS			VDD_CPU		Y
AB									AB
AC									AC
AD		VSS		VDD_CPU			VSS		AD
AF									AF
AG	VSS	VDD_CPU		VSS			VDD_CPU		AG
AH									AH
AK		VSS		VDD_CPU			VSS		AK
AL									AL
AM		VSS		VDD_CORE			VSS		AM
AP									AP
AR		VDD_CORE		VSS		VSS	VDD_CORE		AR
AT									AT
AV		VSS		VDD_CORE			VSS		AV
AW									AW
AY									AY
BB		VDD_CORE		VSS			VDD_CORE		BB
BC									BC
BD		VSS		VDD_CORE			VSS		BD
BF									BF
BG									BG
BH									BH
BJ		VDD_CORE			VSS			HDMI_TX_HPD	BJ
BK									BK
BL		MIPI_DSI_REXT			HDMI_RX_REXT			HDMI_TX_REXT	BL
BM									BM
BN		MIPI_DSI_ATB			VSS			HDMI_RX_DVDD	BN
BP									BP
BR		MIPI_DSI_AVDD			NC			NC	BR
BT									BT
BU		VSS			MIPI_DSI_AVDD1P8			VSS	BU
BV									BV
BW	MIPI_DSI_D2N	VSS	HDMI_RX_CKP	HDMI_RX_DON		HDMI_RX_DOP	VSS	HDMI_RX_D2P	BW
BY		NC	HDMI_RX_CKN				HDMI_RX_D1P	HDMI_RX_D2N	BY
CA		NC					HDMI_RX_D1N		CA
	34	35	36	38	39	40	42	43	

Table 7. SL1680 Pinouts Top View (5 of 6)

	44	46	47	48	49	50	51	52	
A				SDIO_VDDIO3P3					A
B				SDIO_CLK		SDIO_CMD			B
C	SDIO_DATA[1]	SDIO_DATA[2]		VSS		EMMC_DATA[6]	EMMC_RSTN	EMMC_CMD	C
D									D
E			VSS				EMMC_VDDIO1P8		E
F									F
G			SDIO_DATA[3]				VSS		G
H									H
J			SDIO_CDN				CPUPLL_AVDD1P8		J
K									K
L			SDIO_WP				CPUPLL_AVSS		L
M									M
N			VSS		VSS				N
P									P
R			CPUTSEN_AVDD1P8				STS0_SOP		R
T	CPUTSEN_AVSS								T
V	VSS								V
W			STS0_CLK		STS0_SD		VSS		W
Y	VSS								Y
AB									AB
AC			TWO_SCL		TWO_SDA		RGMII_TXCTL		AC
AD	VDD_CPU								AD
AF									AF
AG	VSS		RGMII_TXD[1]		RGMII_RXC		RGMII_RXD[3]		AG
AH									AH
AK	VDD_CPU								AK
AL			SM_VDDIO1P8		SM_POR_EN		SM_TRSTN		AL
AM	VDD_CORE								AM
AP									AP
AR	VSS		SM_VDD_CORE		VSS		SM_TW3_SCL		AR
AT									AT
AV	VDD_CORE								AV
AW			SM_RCLKO		SM_RCLKI		SM_URTO_RXD		AW
AY									AY
BB	SM_TSEN_AVSS								BB
BC			SM_TSEN_AVDD1P8		SM_ADC_AVSS		SM_ADC_AVDD1P8		BC
BD	VDD_CORE								BD
BF									BF
BG			SYSPLL_AVSS		SYSPLL_AVDD1P8		VSS		BG
BH									BH
BJ			HDMI_TX_HEAC_AVDD						BJ
BK									BK
BL			VSS		HDMI_TX_EDDC_SCL		HDMI_TX_EDDC_SDA		BL
BM									BM
BN			HDMI_RX_AVDD1P8				HDMI_TX_HEAC_AVDD1P8		BN
BP									BP
BR			HDMI_RX_AVDD3P3				VSS		BR
BT									BT
BU			VSS				HDMI_RX_AVDD		BU
BV									BV
BW	HDMI_TX_CKN	HDMI_TX_CKP		VSS			HDMI_TX_AVDD		BW
BY				HDMI_TX_D0P		HDMI_TX_D1N	HDMI_TX_D1P	HDMI_TX_D2P	BY
CA				HDMI_TX_D0N				HDMI_TX_D2N	CA
	44	46	47	48	49	50	51	52	

Table 8. SL1680 Pinouts Top View (6 of 6)

	53	54	55	56	57	58	59	60	61	
A		EMMC_CLK						VSS	VSS	A
B		EMMC_DATA[5]		EMMC_STRB				VSS	VSS	B
C		VSS		EMMC_DATA[2]		EMMC_DATA[7]	EMMC_DATA[1]	EMMC_DATA[4]	EMMC_DATA[3]	C
D							EMMC_DATA[0]			D
E			VSS							E
F							SPI1_SS1N			F
G					VSS					G
H							SPI1_SS0N	SPI1_SS3N		H
J										J
K							VSS	SPI1_SS2N	SPI1_SDO	K
L	VDDIO1P8		VDDIO1P8		VSS		SPI1_SCLK			L
M							SPI1_SDI			M
N										N
P							STS1_SD	STS1_VALD		P
R	STS0_VALD		STS1_SOP		STS1_CLK					R
T							VSS	RGMII_MDC	RGMII_TXC	T
V							RGMII_TXD[0]			V
W	USB2_DRV_VBUS		RGMII_MDIO		VSS		RGMII_TXD[2]			W
Y							RGMII_TXD[3]	RGMII_RXD[2]		Y
AB							VSS	SM_URT1_RXD	RGMII_RXD[1]	AB
AC	RGMII_RXD[0]		RGMII_RXCTL		VSS					AC
AD							SM_TW2_SDA			AD
AF							SM_TW2_SCL			AF
AG	VSS		VDD_CPU_FB		VDD_CORE_FB		SM_URT1_TXD	SM_HDMI_TX_HPD		AG
AH							VSS	SM_HDMI_CEC	SM_JTAG_SEL	AH
AK							SM_TEST_EN			AK
AL	VSS		SM_RSTIN		VSS					AL
AM							SM_TCK			AM
AP							SM_TMS	SM_TDI		AP
AR	SM_TW3_SDA		SM_SPI2_SS1N		VSS		VSS	SM_TDO	SM_SPI2_SS0N	AR
AT							SM_SPI2_SS2N			AT
AV							SM_SPI2_SCLK			AV
AW	VSS		SM_URT0_TXD		SM_SPI2_SDI					AW
AY							SM_SPI2_SS3N	SM_SPI2_SDO		AY
BB							VSS	SM_HDMI_RX_HPD	SM_HDMI_RX_PWR5V	BB
BC	SM_ADCI[1]		SM_ADCI[0]		SM_OSC_VDDIO1P8		VSS			BC
BD							I2S1_DO[0]			BD
BF							I2S1_DO[3]	I2S1_DO[1]		BF
BG	I2S1_MCLK		I2S1_LRCK		VSS					BG
BH							VSS	I2S1_BCLK	I2S1_DO[2]	BH
BJ										BJ
BK							SPDIFO			BK
BL	VSS		VDDIO1P8		VDDIO1P8		SPDIFI			BL
BM							I2S2_DI[1]	I2S2_LRCK		BM
BN			AVPLL_AVSS							BN
BP							VSS	I2S2_BCLK	I2S2_MCLK	BP
BR			AVPLL_AVDD1P8		VSS					BR
BT							I2S2_DI[0]	I2S2_DI[3]	I2S2_DI[2]	BT
BU			VSS		HDMI_TX_AVDD1P8					BU
BV							I2S3_LRCK			BV
BW										BW
BY		HDMI_TX_HEACN		HDMI_TX_HEACP		HDMI_TX_HEAC_REXT	I2S3_DO	VSS	VSS	BY
CA						I2S3_BCLK	I2S3_DI	VSS	VSS	CA
	53	54	55	56	57	58	59	60	61	



## 1.2. Pin Descriptions

Table 9. USB2.0 Interface

Pin Location(s)	Signal	Pin Type	Description
BW4	USB2_Dp	I/O, Analog	USB 2.0 port data positive.
BY4	USB2_Dn	I/O, Analog	USB 2.0 port data negative.
W53	USB2_DRV_VBUS	O, CMOS	USB OTG requires this signal. It enables 5V to be driven onto VBUS. 0 = Do not drive VBUS. 1 = Drive 5V on VBUS. DRV_VBUS must be connected to an external PMIC chip to provide power for USB VBUS. There is no on-chip power switch for VBUS inside the PHY.
BL13	USB2_ID	I, Analog	USB 2.0 Port OTG ID pin. This pin should be left floating or connected to GND.
BL9	USB2_REXT	I, Analog	USB 2.0 Calibration pad. This pin should be connected to VSS via a 200 ohm resistor.
BL11	USB2_VBUS	I, Analog	USB 2.0 VBUS. This pin is not 5V tolerant and must not connect directly to the 5V VBUS voltage on USB link. This pin must be isolated by an external 30Kohm resistor so it could see a lower voltage.

Pin Location(s)	Signal	Pin Type	Description
BY11	USB3_Dp	I/O, Analog	USB 3.0 port data positive.
BW11	USB3_Dn	I/O, Analog	USB 3.0 port data negative.
BL27	USB3_ID	I, Analog	USB 3.0 port 0 ID pin. This pin should be left floating or connected to GND.
BL23	USB3_REXT	I, Analog	USB 3.0 Calibration pad. This pin should be connected to VSS via a 200 ohm resistor.
BW6	USB3_RXp	I, Analog	USB 3.0 port receive positive.
BW8	USB3_RXn	I, Analog	USB 3.0 port receive negative.
CA10	USB3_TXp	O, Analog	USB 3.0 port transmit positive.
BY10	USB3_TXn	O, Analog	USB 3.0 port transmit negative.
BN23	USB3_VBUS	I, Analog	USB 3.0 port 0 VBUS. This pin is not 5V tolerant and must not connect directly to the 5V VBUS voltage on USB link. This pin must be isolated by an external 30Kohm resistor so it could see a lower voltage.

Pin Location(s)	Signal	Pin Type	Description
BL39	HDMI_RX_REXT	I, Analog	HDMI RX Calibration pad. This pin should be connected to VSS via a 200 ohm resistor.
BY36	HDMI_RX_CKn	I, Analog	TMDS clock negative.
BW36	HDMI_RX_CKp	I, Analog	TMDS clock positive.
BW38	HDMI_RX_D0n	I, Analog	TMDS data 0 negative.
BW40	HDMI_RX_D0p	I, Analog	TMDS data 0 positive.
CA42	HDMI_RX_D1n	I, Analog	TMDS data 1 negative.
BY42	HDMI_RX_D1p	I, Analog	TMDS data 1 positive.
BY43	HDMI_RX_D2n	I, Analog	TMDS data 2 negative.
BW43	HDMI_RX_D2p	I, Analog	TMDS data 2 positive.

Pin Location(s)	Signal	Pin Type	Description
BY54	HDMI_TX_HEACn	I, Analog	HDMI Ethernet and audio return channel negative.
BY56	HDMI_TX_HEACp	I, Analog	HDMI Ethernet and audio return channel positive.
BY58	HDMI_TX_HEAC_REXT	I, Analog	HDMI TX eARC calibration pad. Connect to VSS via a 2.4 kohm resistor.
BL43	HDMI_TX_REXT	I, Analog	HDMI TX Calibration pad. This pin should be connected to VSS via a 1.62 kohm $\pm$ 1% resistor.
BJ43	HDMI_TX_HPD	I, CMOS	HDMI TX hot plug detect. This pin is 5V tolerant. 1=Detect.
BW44	HDMI_TX_CKn	O, Analog	TMDS clock negative.
BW46	HDMI_TX_CKp	O, Analog	TMDS clock positive.
CA48	HDMI_TX_D0n	O, Analog	TMDS data 0 negative.
BY48	HDMI_TX_D0p	O, Analog	TMDS data 0 positive.
BY50	HDMI_TX_D1n	O, Analog	TMDS data 1 negative.
BY51	HDMI_TX_D1p	O, Analog	TMDS data 1 positive.
CA52	HDMI_TX_D2n	O, Analog	TMDS data 2 negative.
BY52	HDMI_TX_D2p	O, Analog	TMDS data 2 positive.

Table 10. HDMI TX Enhanced DDC Interface

Pin Location(s)	Signal	Pin Type	Description
BL49	HDMI_TX_EDDC_SCL	I/O, CMOS	HDMI TX DDC serial clock line. This pin is 1.8V-only.
BL51	HDMI_TX_EDDC_SDA	I/O, CMOS	HDMI TX DDC serial data line. This pin is 1.8V-only.

Table 11. Serial Transport 0 Interface

Pin Location(s)	Signal	Pin Type	Description
W47	STS0_CLK	I, CMOS	Serial TS capture serial data clock.
W49	STS0_SD	I, CMOS	Serial TS capture serial data.
R51	STS0_SOP	I, CMOS	Serial TS capture start of packet.
R53	STS0_VALD	I, CMOS	Serial TS capture valid flag.

Table 12. Serial Transport 1 Interface

Pin Location(s)	Signal	Pin Type	Description
R57	STS1_CLK	I, CMOS	Serial TS capture serial data clock.
P59	STS1_SD	I, CMOS	Serial TS capture serial data.
R55	STS1_SOP	I, CMOS	Serial TS capture start of packet.
P60	STS1_VALD	I, CMOS	Serial TS capture valid flag.

Table 13. Audio I<sup>2</sup>S Interface and S/PDIF Output

Pin Location(s)	Signal	Pin Type	Description
BH60	I2S1_BCLK	I/O, CMOS	Audio bit clock.
BD59	I2S1_D0[0]	O, CMOS	Data output.
BF60	I2S1_D0[1]	O, CMOS	Data output.
BH61	I2S1_D0[2]	O, CMOS	Data output.
BF59	I2S1_D0[3]	O, CMOS	Data output.
BG55	I2S1_LRCK	I/O, CMOS	Audio WS or LR select.
BG53	I2S1_MCLK	I/O, CMOS	MCLK input/output.

Table 14. Audio I<sup>2</sup>S Interface 2

Pin Location(s)	Signal	Pin Type	Description
BP60	I2S2_BCLK	I/O, CMOS	Audio bit clock.

Table 14. Audio I<sup>2</sup>S Interface 2

Pin Location(s)	Signal	Pin Type	Description
BT59	I2S2_DI[0]	I, CMOS	Data input.
BM59	I2S2_DI[1]	I, CMOS	Data input.
BT61	I2S2_DI[2]	I, CMOS	Data input.
BT60	I2S2_DI[3]	I, CMOS	Data input.
BM60	I2S2_LRCK	I/O, CMOS	Audio WS or LR select.
BP61	I2S2_MCLK	Od, CMOS	MCLK output.
BL59	SPDIFI	I, CMOS	S/PDIF input.
BK59	SPDIFO	Ou, CMOS	S/PDIF output.

Table 15. Audio I2S Interface 3

Pin Location(s)	Signal	Pin Type	Description
CA58	I2S3_BCLK	I/O, CMOS	Audio bit clock.
CA59	I2S3_DI	I, CMOS	Data input.
BY59	I2S3_D0	O, CMOS	Data output.
BV59	I2S3_LRCK	I/O, CMOS	Audio WS or LR select.

Table 16. LPDDR4 Interface Reset

Pin Location(s)	Signal	Pin Type	Description
J27	M0_RSTN	O, HS_LVCMOS	M0 RESETn for LPDDR4 SDRAMs.
AL13	M2_RSTN	O, HS_LVCMOS	M2 RESETn for LPDDR4 SDRAMs.

Table 17. LPDDR4 Interface M0 16-bit

Pin Location(s)	Signal	Pin Type	Description
J31	MO_CKp	O, HS_LVCMOS	M0 clock positive.
L31	MO_CKn	O, HS_LVCMOS	M0 clock negative.
A28	MO_CKE	O, HS_LVCMOS	M0 clock enable.
B28	MO_CS <sub>n</sub>	O, HS_LVCMOS	M0 chip select.
G31	MO_A[0]	O, HS_LVCMOS	M0 ADDR[0].
N31	MO_A[1]	O, HS_LVCMOS	M0 ADDR[1].
C27	MO_A[2]	O, HS_LVCMOS	M0 ADDR[2].
C26	MO_A[3]	O, HS_LVCMOS	M0 ADDR[3].
G27	MO_A[4]	O, HS_LVCMOS	M0 ADDR[4].
E27	MO_A[5]	O, HS_LVCMOS	M0 ADDR[5].
B42	MO_DM[0]	O, HS_LVCMOS	M0 Data mask BYTE[0].
C32	MO_DM[1]	O, HS_LVCMOS	M0 Data mask BYTE[1].
E39	MO_DQ[0]	I/O, HS_LVCMOS	M0 DQ[0].
G39	MO_DQ[1]	I/O, HS_LVCMOS	M0 DQ[1].
C40	MO_DQ[2]	I/O, HS_LVCMOS	M0 DQ[2].
C38	MO_DQ[3]	I/O, HS_LVCMOS	M0 DQ[3].
N39	MO_DQ[4]	I/O, HS_LVCMOS	M0 DQ[4].
A42	MO_DQ[5]	I/O, HS_LVCMOS	M0 DQ[5].
C43	MO_DQ[6]	I/O, HS_LVCMOS	M0 DQ[6].
B43	MO_DQ[7]	I/O, HS_LVCMOS	M0 DQ[7].
C34	MO_DQ[8]	I/O, HS_LVCMOS	M0 DQ[8].
G35	MO_DQ[9]	I/O, HS_LVCMOS	M0 DQ[9].
B30	MO_DQ[10]	I/O, HS_LVCMOS	M0 DQ[10].
C30	MO_DQ[11]	I/O, HS_LVCMOS	M0 DQ[11].
B35	MO_DQ[12]	I/O, HS_LVCMOS	M0 DQ[12].
C36	MO_DQ[13]	I/O, HS_LVCMOS	M0 DQ[13].
A35	MO_DQ[14]	I/O, HS_LVCMOS	M0 DQ[14].
B36	MO_DQ[15]	I/O, HS_LVCMOS	M0 DQ[15].
J39	MO_DQSp[0]	I/O, HS_LVCMOS	M0 DQSp[0] BYTE0.
J35	MO_DQSp[1]	I/O, HS_LVCMOS	M0 DQSp[1] BYTE1.
L39	MO_DQSn[0]	I/O, HS_LVCMOS	M0 DQSn[0] BYTE0.
L35	MO_DQSn[1]	I/O, HS_LVCMOS	M0 DQSn[1] BYTE1.

Table 18. LPDDR4 Interface M1 16-bit

Pin Location(s)	Signal	Pin Type	Description
L23	M1_CKp	O, HS_LVCMOS	M1 clock positive.
J23	M1_CKn	O, HS_LVCMOS	M1 clock negative.
C24	M1_CKE	O, HS_LVCMOS	M1 clock enable.
B24	M1_CS <sub>n</sub>	O, HS_LVCMOS	M1 chip select.
B22	M1_A[0]	O, HS_LVCMOS	M1 ADDR[0].
G23	M1_A[1]	O, HS_LVCMOS	M1 ADDR[1].
C19	M1_A[2]	O, HS_LVCMOS	M1 ADDR[2].
G19	M1_A[3]	O, HS_LVCMOS	M1 ADDR[3].
A22	M1_A[4]	O, HS_LVCMOS	M1 ADDR[4].
C20	M1_A[5]	O, HS_LVCMOS	M1 ADDR[5].
E15	M1_DM[0]	O, HS_LVCMOS	M1 data mask BYTE[0].
B4	M1_DM[1]	O, HS_LVCMOS	M1 data mask BYTE[1].
C11	M1_DQ[0]	I/O, HS_LVCMOS	M1 DQ[0].
C14	M1_DQ[1]	I/O, HS_LVCMOS	M1 DQ[1].
C12	M1_DQ[2]	I/O, HS_LVCMOS	M1 DQ[2].
B11	M1_DQ[3]	I/O, HS_LVCMOS	M1 DQ[3].
B16	M1_DQ[4]	I/O, HS_LVCMOS	M1 DQ[4].
A16	M1_DQ[5]	I/O, HS_LVCMOS	M1 DQ[5].
C18	M1_DQ[6]	I/O, HS_LVCMOS	M1 DQ[6].
B18	M1_DQ[7]	I/O, HS_LVCMOS	M1 DQ[7].
A3	M1_DQ[8]	I/O, HS_LVCMOS	M1 DQ[8].
C6	M1_DQ[9]	I/O, HS_LVCMOS	M1 DQ[9].
B3	M1_DQ[10]	I/O, HS_LVCMOS	M1 DQ[10].
C4	M1_DQ[11]	I/O, HS_LVCMOS	M1 DQ[11].
G11	M1_DQ[12]	I/O, HS_LVCMOS	M1 DQ[12].
C8	M1_DQ[13]	I/O, HS_LVCMOS	M1 DQ[13].
A10	M1_DQ[14]	I/O, HS_LVCMOS	M1 DQ[14].
B10	M1_DQ[15]	I/O, HS_LVCMOS	M1 DQ[15].
L19	M1_DQSp[0]	I/O, HS_LVCMOS	M1 DQSp[0] BYTE0.
J15	M1_DQSp[1]	I/O, HS_LVCMOS	M1 DQSp[1] BYTE1.
J19	M1_DQSn[0]	I/O, HS_LVCMOS	M1 DQSn[0] BYTE0.
L15	M1_DQSn[1]	I/O, HS_LVCMOS	M1 DQSn[1] BYTE1.

Table 19. LPDDR4 Interface M2 16-bit

Pin Location(s)	Signal	Pin Type	Description
AC11	M2_CKp	O, HS_LVCMOS	M2 clock positive.
AC9	M2_CKn	O, HS_LVCMOS	M2 clock negative.
V3	M2_CKE	O, HS_LVCMOS	M2 clock enable.
V2	M2_CS <sub>n</sub>	O, HS_LVCMOS	M2 chip select.
AC13	M2_A[0]	O, HS_LVCMOS	M2 ADDR[0].
AB2	M2_A[1]	O, HS_LVCMOS	M2 ADDR[1].
AC7	M2_A[2]	O, HS_LVCMOS	M2 ADDR[2].
W3	M2_A[3]	O, HS_LVCMOS	M2 ADDR[3].
AB1	M2_A[4]	O, HS_LVCMOS	M2 ADDR[4].
Y3	M2_A[5]	O, HS_LVCMOS	M2 ADDR[5].
D2	M2_DM[0]	O, HS_LVCMOS	M2 data mask BYTE[0].
P3	M2_DM[1]	O, HS_LVCMOS	M2 data mask BYTE[1].
C2	M2_DQ[0]	I/O, HS_LVCMOS	M2 DQ[0].
D3	M2_DQ[1]	I/O, HS_LVCMOS	M2 DQ[1].
F3	M2_DQ[2]	I/O, HS_LVCMOS	M2 DQ[2].
C1	M2_DQ[3]	I/O, HS_LVCMOS	M2 DQ[3].
H3	M2_DQ[4]	I/O, HS_LVCMOS	M2 DQ[4].
K2	M2_DQ[5]	I/O, HS_LVCMOS	M2 DQ[5].
K1	M2_DQ[6]	I/O, HS_LVCMOS	M2 DQ[6].
L2	M2_DQ[7]	I/O, HS_LVCMOS	M2 DQ[7].
L7	M2_DQ[8]	I/O, HS_LVCMOS	M2 DQ[8].
R5	M2_DQ[9]	I/O, HS_LVCMOS	M2 DQ[9].
L3	M2_DQ[10]	I/O, HS_LVCMOS	M2 DQ[10].
R7	M2_DQ[11]	I/O, HS_LVCMOS	M2 DQ[11].
W7	M2_DQ[12]	I/O, HS_LVCMOS	M2 DQ[12].
T1	M2_DQ[13]	I/O, HS_LVCMOS	M2 DQ[13].
M3	M2_DQ[14]	I/O, HS_LVCMOS	M2 DQ[14].
T2	M2_DQ[15]	I/O, HS_LVCMOS	M2 DQ[15].
R11	M2_DQSp[0]	I/O, HS_LVCMOS	M2 DQSp[0] BYTE0.
W11	M2_DQSp[1]	I/O, HS_LVCMOS	M2 DQSp[1] BYTE1.
R9	M2_DQSn[0]	I/O, HS_LVCMOS	M2 DQSn[0] BYTE0.
W9	M2_DQSn[1]	I/O, HS_LVCMOS	M2 DQSn[1] BYTE1.

Table 20. LPDDR4 Interface M3 16-bit

Pin Location(s)	Signal	Pin Type	Description
AL11	M3_CKp	O, HS_LVCMOS	M3 clock positive.
AL9	M3_CKn	O, HS_LVCMOS	M3 clock negative.
AD2	M3_CKE	O, HS_LVCMOS	M3 clock enable.
AD3	M3_CS <sub>n</sub>	O, HS_LVCMOS	M3 chip select.
AF3	M3_A[0]	O, HS_LVCMOS	M3 ADDR[0].
AG7	M3_A[1]	O, HS_LVCMOS	M3 ADDR[1].
AG5	M3_A[2]	O, HS_LVCMOS	M3 ADDR[2].
AG3	M3_A[3]	O, HS_LVCMOS	M3 ADDR[3].
AL7	M3_A[4]	O, HS_LVCMOS	M3 ADDR[4].
AH1	M3_A[5]	O, HS_LVCMOS	M3 ADDR[5].
AP3	M3_DM[0]	O, HS_LVCMOS	M3 data mask BYTE[0].
BB1	M3_DM[1]	O, HS_LVCMOS	M3 data mask BYTE[1].
AK3	M3_DQ[0]	I/O, HS_LVCMOS	M3 DQ[0].
AK2	M3_DQ[1]	I/O, HS_LVCMOS	M3 DQ[1].
AM3	M3_DQ[2]	I/O, HS_LVCMOS	M3 DQ[2].
AH2	M3_DQ[3]	I/O, HS_LVCMOS	M3 DQ[3].
AR7	M3_DQ[4]	I/O, HS_LVCMOS	M3 DQ[4].
AR2	M3_DQ[5]	I/O, HS_LVCMOS	M3 DQ[5].
AT2	M3_DQ[6]	I/O, HS_LVCMOS	M3 DQ[6].
AR1	M3_DQ[7]	I/O, HS_LVCMOS	M3 DQ[7].
AY3	M3_DQ[8]	I/O, HS_LVCMOS	M3 DQ[8].
AW5	M3_DQ[9]	I/O, HS_LVCMOS	M3 DQ[9].
AV3	M3_DQ[10]	I/O, HS_LVCMOS	M3 DQ[10].
AT3	M3_DQ[11]	I/O, HS_LVCMOS	M3 DQ[11].
AW7	M3_DQ[12]	I/O, HS_LVCMOS	M3 DQ[12].
BC3	M3_DQ[13]	I/O, HS_LVCMOS	M3 DQ[13].
BB2	M3_DQ[14]	I/O, HS_LVCMOS	M3 DQ[14].
BC2	M3_DQ[15]	I/O, HS_LVCMOS	M3 DQ[15].
AR11	M3_DQSp[0]	I/O, HS_LVCMOS	M3 DQSp[0] BYTE0.
AW9	M3_DQSp[1]	I/O, HS_LVCMOS	M3 DQSp[1] BYTE1.
AR9	M3_DQSn[0]	I/O, HS_LVCMOS	M3 DQSn[0] BYTE0.
AW11	M3_DQSn[1]	I/O, HS_LVCMOS	M3 DQSn[1] BYTE1.



Table 21. LPDDR4 Others

Pin Location(s)	Signal	Pin Type	Description
N23	MO_VREF	I, Analog	LPDDR4 VREF (left floating) for M0 DQ DQS.
L27	MO_CAL	I, Analog	LPDDR4 Calibration pad. Connect to VSS via a 120 ohm resistor.
AG11	M2_CAL	I, Analog	LPDDR4 Calibration pad. Connect to VSS via a 120 ohm resistor.

Table 22. HDMI CEC Interface

Pin Location(s)	Signal	Pin Type	Description
AH60	SM_HDMI_CEC	I/Ood, CMOS	SM HDMI Consumer Electronics Control signal. This pin is 1.8V-only.

Table 23. HDMI HPD Interface

Pin Location(s)	Signal	Pin Type	Description
BB60	SM_HDMI_RX_HPD	O, CMOS	HDMI RX hot plug detect. This pin is used to drive the HPD signal on the HDMI RX (sink) port. This pin is 1.8V-only.
AG60	SM_HDMI_TX_HPD	I, CMOS	HDMI TX (source) hot plug detect. This pin is 1.8V-only.

Table 24. HDMI Receiver 5V Sense Interface

Pin Location(s)	Signal	Pin Type	Description
BB61	SM_HDMI_RX_PWR5V	I, CMOS	HDMI source 5V supply detect. This pin is a 1.8V-only input pin.

Table 25. Two-Wire Serial SM Interface

Pin Location(s)	Signal	Pin Type	Description
AF59	SM_TW2_SCL	I/Ood, CMOS	SM TWSI2 serial clock.
AD59	SM_TW2_SDA	I/Ood, CMOS	SM TWSI2 serial data.
AR51	SM_TW3_SCL	I/Ood, CMOS	SM TWSI3 serial clock.
AR53	SM_TW3_SDA	I/Ood, CMOS	SM TWSI3 serial data.

Table 26. SoC Two-Wire Serial Interface

Pin Location(s)	Signal	Pin Type	Description
AC47	TWO_SCL	I/Ood, CMOS	TWSI serial clock.
AC49	TWO_SDA	I/Ood, CMOS	TWSI serial data.

Table 27. SoC SPI Interface

Pin Location(s)	Signal	Pin Type	Description
H59	SPI1_SS0n	O, CMOS	SPI1 chip select 0 for first slave device with handler.
F59	SPI1_SS1n	O, CMOS	SPI1 chip select 1 for second slave device with handler.
K60	SPI1_SS2n	O, CMOS	SPI1 chip select 2 for third slave device.
H60	SPI1_SS3n	O, CMOS	SPI1 chip select 3 for fourth slave device.
L59	SPI1_SCLK	O, CMOS	SPI1 serial clock.
M59	SPI1_SDI	I, CMOS	SPI1 serial data input.
K61	SPI1_SDO	O, CMOS	SPI1 serial data output.

Pin Location(s)	Signal	Pin Type	Description
CA22	PCIE_CLKp	O, Analog	PCle RefClk positive.
BY22	PCIE_CLKn	O, Analog	PCle RefClk negative.
BL31	PCIE_REXT	I, Analog	PCle Reference resistor connection. Connect to VSS via a 200 ohm resistor.
BY18	PCIE_RX0p	I, Analog	PCle 0 receive positive.
BW18	PCIE_RX0n	I, Analog	PCle 0 receive negative.
BW12	PCIE_RX1p	I, Analog	PCle 1 receive positive.
BW14	PCIE_RX1n	I, Analog	PCle 1 receive negative.
BW20	PCIE_TX0p	O, Analog	PCle 0 transmit positive.
BW19	PCIE_TX0n	O, Analog	PCle 0 transmit negative.
BY16	PCIE_TX1p	O, Analog	PCle 1 transmit positive.
CA16	PCIE_TX1n	O, Analog	PCle 1 transmit negative.

Pin Location(s)	Signal	Pin Type	Description
T60	RGMII_MDC	O, CMOS	RGMII management data clock.
W55	RGMII_MDIO	I/O, CMOS	RGMII management data.
AG49	RGMII_RXC	I, CMOS	RGMII receive reference clock.
AC55	RGMII_RXCTL	I, CMOS	RGMII receive control input.
AC53	RGMII_RXD[0]	I, CMOS	RGMII receive data 0.
AB61	RGMII_RXD[1]	I, CMOS	RGMII receive data 1.
Y60	RGMII_RXD[2]	I, CMOS	RGMII receive data 2.
AG51	RGMII_RXD[3]	I, CMOS	RGMII receive data 3.
T61	RGMII_TXC	O, CMOS	RGMII transmit reference clock.
AC51	RGMII_TXCTL	O, CMOS	RGMII transmit control output.
V59	RGMII_TXD[0]	O, CMOS	RGMII transmit data 0.
AG47	RGMII_TXD[1]	O, CMOS	RGMII transmit data 1.
W59	RGMII_TXD[2]	O, CMOS	RGMII transmit data 2.
Y59	RGMII_TXD[3]	O, CMOS	RGMII transmit data 3.

Table 28. eMMC Interface

Pin Location(s)	Signal	Pin Type	Description
A54	EMMC_CLK	O, CMOS	Output clock.
C51	EMMC_RSTn	O, CMOS	Hardware reset.
B56	EMMC_STRB	I, CMOS	eMMC 5.0 data strobe.
D59	EMMC_DATA[0]	I/O, CMOS	Data[0].
C59	EMMC_DATA[1]	I/O, CMOS	Data[1].
C56	EMMC_DATA[2]	I/O, CMOS	Data[2].
C61	EMMC_DATA[3]	I/O, CMOS	Data[3].
C60	EMMC_DATA[4]	I/O, CMOS	Data[4].
B54	EMMC_DATA[5]	I/O, CMOS	Data[5].
C50	EMMC_DATA[6]	I/O, CMOS	Data[6].
C58	EMMC_DATA[7]	I/O, CMOS	Data[7].
C52	EMMC_CMD	I/O, CMOS	Command/Response.

Table 29. SDIO Interface

Pin Location(s)	Signal	Pin Type	Description
J47	SDIO_CDn	I, CMOS	Card Detect. 0 = Detect.

Table 29. SDIO Interface

Pin Location(s)	Signal	Pin Type	Description
B48	SDIO_CLK	O, CMOS	Output clock. CLK in SPI mode.
B50	SDIO_CMD	I/O, CMOS	Command/Response. D0 in SPI mode.
N43	SDIO_DATA[0]	I/O, CMOS	DATA[0], busy from card. DI in SPI mode.
C44	SDIO_DATA[1]	I/O, CMOS	Data[1]. Int from card.
C46	SDIO_DATA[2]	I/O, CMOS	Data[2]. Read wait from card.
G47	SDIO_DATA[3]	I/O, CMOS	Data[3]. SSn in SPI mode.
L47	SDIO_WP	I, CMOS	Write Protect. 1= Write-protected.

Table 30. SM Analog Interface

Pin Location(s)	Signal	Pin Type	Description
BC55	SM_ADCI[0]	I, Analog	ADC input. Full input range 1.2V.
BC53	SM_ADCI[1]	I, Analog	ADC input. Full input range 1.2V.
AW49	SM_RCLKI	I, Analog	Oscillator/Crystal Input 25 MHz.
AW47	SM_RCLKO	I/O, Analog	Crystal inverted output.

Table 31. System Manager (SM) Global Interface

Pin Location(s)	Signal	Pin Type	Description
AH61	SM_JTAG_SEL	Id, CMOS	SM JTAG port selection. 1 = Enable SM JTAG.
AL49	SM_POR_EN	Iu, CMOS	Enable on-chip power-on reset (POR_VDD) feature in SM.
AL55	SM_RSTIn	Iu, CMOS	SoC Active low reset input with internal pull-up.
AM59	SM_TCK	Id, CMOS	SM JTAG clock input.
AP60	SM_TDI	Iu, CMOS	SM JTAG SDATA IN.
AR60	SM_TDO	Ou, CMOS	SM JTAG SDATA OUT.
AK59	SM_TEST_EN	Id, CMOS	TEST enable. 1 = Enable scan. 0 = Enable ARM ICE JTAG connections.
AP59	SM_TMS	Iu, CMOS	SM JTAG Mode select signal (ARM or chip JTAG).
AL51	SM_TRStn	Id, CMOS	SM JTAG reset.

Table 32. System Manager (SM) SPI Interface

Pin Location(s)	Signal	Pin Type	Description
AV59	SM_SPI2_SCLK	O, CMOS	SM SPI2 serial clock.

Table 32. System Manager (SM) SPI Interface

Pin Location(s)	Signal	Pin Type	Description
AW57	SM_SPI2_SDI	I, CMOS	SM SPI2 serial data input.
AY60	SM_SPI2_SDO	Od, CMOS	SM SPI2 serial data output.
AR61	SM_SPI2_SS0n	Od, CMOS	SM SPI2 chip select 0.
AR55	SM_SPI2_SS1n	Od, CMOS	SM SPI2 chip select 1.
AT59	SM_SPI2_SS2n	O, CMOS	SM SPI2 chip select 2.
AY59	SM_SPI2_SS3n	O, CMOS	SM SPI2 chip select 3.

Table 33. SM UART Interface

Pin Location(s)	Signal	Pin Type	Description
AW51	SM_URTO_RXD	I, CMOS	UART0 RX.
AW55	SM_URTO_TXD	Od, CMOS	UART0 TX.
AB60	SM_URT1_RXD	I, CMOS	UART1 RX.
AG59	SM_URT1_TXD	O, CMOS	UART1 TX.

Table 34. MIPI Camera Serial Interface (CSIO) Pins

Pin Location(s)	Signal	Pin Type	Description
BC7	MIPI_CSIO_ATB	I, Analog	MIPI CSIO Analog test pin.
BP1	MIPI_CSIO_CKp	I, Analog	MIPI CSIO CLK positive.
BP2	MIPI_CSIO_CKn	I, Analog	MIPI CSIO CLK negative.
BM3	MIPI_CSIO_D0p	I, Analog	MIPI CSIO Data Lane 0 positive.
BL3	MIPI_CSIO_D0n	I, Analog	MIPI CSIO Data Lane 0 negative.
BK2	MIPI_CSIO_D1p	I, Analog	MIPI CSIO Data Lane 1 positive.
BK3	MIPI_CSIO_D1n	I, Analog	MIPI CSIO Data Lane 1 negative.
BF3	MIPI_CSIO_D2p	I, Analog	MIPI CSIO Data Lane 2 positive.
BD3	MIPI_CSIO_D2n	I, Analog	MIPI CSIO Data Lane 2 negative.
BH2	MIPI_CSIO_D3p	I, Analog	MIPI CSIO Data Lane 3 positive.
BH1	MIPI_CSIO_D3n	I, Analog	MIPI CSIO Data Lane 3 negative.
BC9	MIPI_CSIO_REXT	I, Analog	MIPI CSIO reference resistor connection. Connect to VSS via a 200 ohm resistor.

Pin Location(s)	Signal	Pin Type	Description
CA3	MIPI_CSI1_CKp	I, Analog	MIPI CSI1 CLK positive.

Pin Location(s)	Signal	Pin Type	Description
BY3	MIPI_CSI1_CKn	I, Analog	MIPI CSI1 CLK negative.
BT2	MIPI_CSI1_D0p	I, Analog	MIPI CSI1 Data Lane 0 positive.
BT3	MIPI_CSI1_D0n	I, Analog	MIPI CSI1 Data Lane 0 negative.
BW3	MIPI_CSI1_D1p	I, Analog	MIPI CSI1 Data Lane 1 positive.
BV3	MIPI_CSI1_D1n	I, Analog	MIPI CSI1 Data Lane 1 negative.
BG9	MIPI_CSI1_REXT	I, Analog	MIPI CSI1 reference resistor connection. Connect to VSS via a 200 ohm resistor.

Table 35. MIPI Display Serial Interface Pins

Pin Location(s)	Signal	Pin Type	Description
BN35	MIPI_DSI_ATB	O, Analog	MIPI DSI Analog test output.
CA28	MIPI_DSI_CKp	O, Analog	MIPI DSI CLK positive.
BY28	MIPI_DSI_CKn	O, Analog	MIPI DSI CLK negative.
BW24	MIPI_DSI_D0p	O, Analog	MIPI DSI Data Lane 0 positive.
BY24	MIPI_DSI_D0n	O, Analog	MIPI DSI Data Lane 0 negative.
BW27	MIPI_DSI_D1p	O, Analog	MIPI DSI Data Lane 1 positive.
BW26	MIPI_DSI_D1n	O, Analog	MIPI DSI Data Lane 1 negative.
BW32	MIPI_DSI_D2p	O, Analog	MIPI DSI Data Lane 2 positive.
BW34	MIPI_DSI_D2n	O, Analog	MIPI DSI Data Lane 2 negative.
BW30	MIPI_DSI_D3p	O, Analog	MIPI DSI Data Lane 3 positive.
BY30	MIPI_DSI_D3n	O, Analog	MIPI DSI Data Lane 3 negative.
BL35	MIPI_DSI_REXT	O, Analog	MIPI DSI reference resistor connection. Connect to VSS via a 200 ohm resistor.

Table 36. Power - 1.8V

Pin Location(s)	Signal	Pin Type	Description
BR55	AVPLL_AVDD1P8	PWR	1.8V AVPLL analog power.
J51	CPULL_AVDD1P8	PWR	1.8V CPULL analog power.
R47	CPUTSEN_AVDD1P8	PWR	1.8V CPUTSEN analog power.
E51	EMMC_VDDIO1P8	PWR	1.8V EMMC power.
BN47	HDMI_RX_AVDD1P8	PWR	1.8V HDMI RX supply.
BU57	HDMI_TX_AVDD1P8	PWR	1.8V HDMI TX supply.
BN51	HDMI_TX_HEAC_AVDD1P8	PWR	1.8V HDMI TX HEAC supply.
BD16	KILOOTP_AVDD1P8	PWR	1.8V AVDD KILO OTP analog power.
J43	MEMPLL_AVDD1P8	PWR	1.8V memPLL analog power.

Table 36. Power - 1.8V (Continued)

Pin Location(s)	Signal	Pin Type	Description
BG5	MIPI_CSIO_AVDD1P8	PWR	1.8V MIPI CSIO analog power.
BL7	MIPI_CSI1_AVDD1P8	PWR	1.8V MIPI CSI1 analog power.
BU39	MIPI_DSI_AVDD1P8	PWR	1.8V MIPI DSI analog power.
AD19	M0_AVDD1P8	PWR	1.8V M0 analog power.
BU27	PCIE_AVDD1P8	PWR	1.8V PCIe analog power.
BR27	PCIE_PLL_AVDD1P8	PWR	1.8V PCIe PLL analog power.
G43	SDIO_VDDIO1P8	PWR	1.8V SDIO analog power.
BC51	SM_ADC_AVDD1P8	PWR	1.8V SM ADC analog power.
BC57	SM_OSC_VDDIO1P8	PWR	1.8V SM OSC analog power.
BC47	SM_TSEN_AVDD1P8	PWR	1.8V SM TSEN analog power.
AL47	SM_VDDIO1P8	PWR	1.8V SM digital I/O power.
BG49	SYSPLL_AVDD1P8	PWR	1.8V SYSPLL analog power.
BL55, BL57, L53, L55	VDDIO1P8	PWR	1.8V SoC digital I/O power.

Table 37. Power - 3.3V

Pin Location(s)	Signal	Pin Type	Description
BR47	HDMI_RX_AVDD3P3	PWR	3.3V HDMI RX supply.
A48	SDIO_VDDIO3P3	PWR	3.3V SDIO digital I/O power.
BR7	USB2_AVDD3P3	PWR	3.3V USB2.0 analog power.
BU7	USB2_VR_AVDD3P3	PWR	3.3V USB2.0 VR analog power.
BR11	USB3_AVDD3P3	PWR	3.3V USB3.0 analog power.

Table 38. Power and Ground Pins (Sheet 1 of 3)

Pin Location(s)	Signal	Pin Type	Description
BN55	AVPLL_AVSS	GND	AVPLL analog ground.
L51	CPUPLL_AVSS	GND	CPUPLL analog ground.
T44	CPUTSEN_AVSS	GND	CPUTSEN analog ground.
BU51	HDMI_RX_AVDD	PWR	HDMI RX analog power.
BN43	HDMI_RX_DVDD	PWR	HDMI RX digital power.
BW51	HDMI_TX_AVDD	PWR	HDMI TX analog power.
BJ47	HDMI_TX_HEAC_AVDD	PWR	HDMI TX HEAC analog power.
L43	MEMPLL_AVSS	GND	MEMPLL analog ground.
BC11	MIPI_CSIO_AVDD	PWR	MIPI CSIO analog power.
BG13	MIPI_CSI1_AVDD	PWR	MIPI CSI1 analog power.
BR35	MIPI_DSI_AVDD	PWR	MIPI DSI analog power.
BU15	PCIE_AVDD	PWR	PCie analog power.
BN27	PCIE_PLL_AVSS	GND	PCie PLL analog ground.
BR31	PCIE_REFCLK_AVDD	PWR	PCie REFCLK analog power.
BR23	PCIE_TX_AVDD[0]	PWR	PCie TX analog power.
BR19	PCIE_TX_AVDD[1]	PWR	PCie TX analog power.
BC49	SM_ADC_AVSS	GND	SM ADC analog ground.
BB44	SM_TSEN_AVSS	GND	SM temperature sensor analog ground.
AR47	SM_VDD_CORE	PWR	SM digital core power.
BG47	SYSPLL_AVSS	GND	SYSPLL analog ground.
BN11	USB2_DVDD	PWR	USB 2.0 digital core power.
BL15	USB3_AVDD	PWR	USB 3.0 PHY analog power.
BR15	USB3_DVDD	PWR	USB 3.0 PHY digital power.
AG26, AG32, AK26, AK32, AM26, AM32, AM38, AM44, AR22, AR28, AR35, AR42, AV19, AV26, AV32, AV38, AV44, BB16, BB22, BB28, BB35, BB42, BD19, BD26, BD32, BD38, BD44, BF18, BJ19, BJ27, BJ35	VDD_CORE	PWR	SoC core power.



Table 38. Power and Ground Pins (Sheet 2 of 3)

Pin Location(s)	Signal	Pin Type	Description
AG57	VDD_CORE_FB	PWR	Core voltage feedback compensation.
AD32, AD38, AD44, AG35, AG42, AK38, AK44, V32, V38, Y35, Y42	VDD_CPU	PWR	SoC CPU power.
AG55	VDD_CPU_FB	PWR	CPU voltage feedback compensation.
AG13, AK19, AM19, AR16, AR18, N15, N19, N27, V16, W13, Y22, Y28, Y30	VDDQ	PWR	LPDDR4 I/O power 1.1V.
AD26, AD28, AF19, AG19, AR19, AT19, Y19, Y26	VDDQLP	PWR	LPDDR4 I/O power 1.1V or LPDDR4x I/O power 0.6V.
A1, A2, A60, A61, AB3, AB59, AC5, AC57, AD16, AD22, AD35, AD42, AG16, AG22, AG28, AG34, AG38, AG44, AG53, AG9, AH3, AH59, AK16, AK22, AK28, AK35, AK42, AL5, AL53, AL57, AM16, AM22, AM28, AM35, AM42, AR13, AR26, AR27, AR3, AR32, AR38, AR40, AR44, AR49, AR5, AR57, AR59, AV16, AV22, AV28, AV35, AV42, AW13, AW53, B1, B2, B60, B61, BB19, BB26, BB3, BB32, BB38, BB59, BC13, BC5, BC59, BD22, BD28, BD35, BD42, BG11,	VSS	GND	Ground.

Table 38. Power and Ground Pins (Sheet 3 of 3)

Pin Location(s)	Signal	Pin Type	Description
BG51, BG57, BG7, BH3, BH59, BJ15, BJ23, BJ31, BJ39, BL19, BL47, BL5, BL53, BN15, BN19, BN31, BN39, BP3, BP59, BR5, BR51, BR57, BU11, BU19, BU23, BU31, BU35, BU43, BU47, BU55, BW10, BW16, BW22, BW28, BW35, BW42, BW48, BY1, BY2, BY60, BY61, C10, C16, C22, C28, C35, C42, C48, C54, CA1, CA2, CA60, CA61, E11, E19, E23, E31, E35, E43, E47, E55, E7, G15, G5, G51, G57, J11, K3, K59, L11, L5, L57, L9, N13, N35, N47, N49, T3, T59, V19, V22, V26, V28, V35, V42, V44, W5, W51, W57, Y16, Y32, Y34, Y38, Y44	VSS (continued...)	GND	Ground.

Table 39. Not Connected

Pin Location(s)	Signal	Pin Type	Description
BR39	NC	NC	Not connected.
BR43	NC	NC	Not connected.
BY35	NC	NC	Not connected.
CA35	NC	NC	Not connected.

## 2. Pin Multiplexing

### 2.1. Pin Multiplexing Signal Descriptions

For complete pin multiplexing details, refer to [Section 2.2., Pin Multiplexing Modes](#).

**Note:** The Pin Type in the tables in this section only represents the signal direction of the multiplexed signal. For other pin properties, such as open drain or pull-up, refer to the corresponding primary pin in the pin description table (see [Section 1.2., Pin Descriptions](#)).

Table 40. Audio MIC PDM

Pin #	Pin Mux Name	Pin Type	Description
BP60	PDMA_CLKIO	I/O, CMOS	PDM A Clock In/Out.
BT60	PDMA_DI[0]	I, CMOS	PDM A Data in.
BT61	PDMA_DI[1]	I, CMOS	PDM A Data in.
BM59	PDMA_DI[2]	I, CMOS	PDM A Data in.
BT59	PDMA_DI[3]	I, CMOS	PDM A Data in.
BH61	PDMA_DI[2]	I, CMOS	PDM B Data in.
BF59	PDMA_DI[3]	I, CMOS	PDM B Data in.
BP61	PDMA_CLKIO	I/O, CMOS	PDM B Clock In/Out.
BL59	PDMC_DI[0]	I, CMOS	PDM C Data in.

**Note:** PDMA, PDMA, and PDMC are alternative pin locations for the same PDM interface.

Table 41. General Purpose I/O Interface (Sheet 1 of 3)

Pin #	Pin Mux Name	Pin Type	Description
CA59	GPIO[0]	I/O, CMOS	General purpose I/O.
BY59	GPIO[1]	I/O, CMOS	General purpose I/O.
CA58	GPIO[2]	I/O, CMOS	General purpose I/O.
BV59	GPIO[3]	I/O, CMOS	General purpose I/O.
BL59	GPIO[4]	I/O, CMOS	General purpose I/O.
BL51	GPIO[5]	I/O, CMOS	General purpose I/O.
BL49	GPIO[6]	I/O, CMOS	General purpose I/O.
BP61	GPIO[7]	I/O, CMOS	General purpose I/O.
BT60	GPIO[8]	I/O, CMOS	General purpose I/O.
BT61	GPIO[9]	I/O, CMOS	General purpose I/O.
BM59	GPIO[10]	I/O, CMOS	General purpose I/O.
BT59	GPIO[11]	I/O, CMOS	General purpose I/O.
BP60	GPIO[12]	I/O, CMOS	General purpose I/O.
BM60	GPIO[13]	I/O, CMOS	General purpose I/O.
BK59	GPIO[14]	I/O, CMOS	General purpose I/O.
BF59	GPIO[15]	I/O, CMOS	General purpose I/O.

Table 41. General Purpose I/O Interface (Sheet 2 of 3)

Pin #	Pin Mux Name	Pin Type	Description
BH61	GPIO[16]	I/O, CMOS	General purpose I/O.
BF60	GPIO[17]	I/O, CMOS	General purpose I/O.
BG53	GPIO[18]	I/O, CMOS	General purpose I/O.
BD59	GPIO[19]	I/O, CMOS	General purpose I/O.
BH60	GPIO[20]	I/O, CMOS	General purpose I/O.
BG55	GPIO[21]	I/O, CMOS	General purpose I/O.
AC51	GPIO[22] <sup>1</sup>	I/O, CMOS	General purpose I/O. Recommended as output only.
T61	GPIO[23] <sup>1</sup>	I/O, CMOS	General purpose I/O. Recommended as output only.
Y59	GPIO[24] <sup>1</sup>	I/O, CMOS	General purpose I/O. Recommended as output only.
W59	GPIO[25] <sup>1</sup>	I/O, CMOS	General purpose I/O. Recommended as output only.
AG47	GPIO[26] <sup>1</sup>	I/O, CMOS	General purpose I/O. Recommended as output only.
V59	GPIO[27] <sup>1</sup>	I/O, CMOS	General purpose I/O. Recommended as output only.
W55	GPIO[28]	I/O, CMOS	General purpose I/O.
T60	GPIO[29]	I/O, CMOS	General purpose I/O.
AC55	GPIO[30]	I/O, CMOS	General purpose I/O.
AG49	GPIO[31]	I/O, CMOS	General purpose I/O.
AG51	GPIO[32]	I/O, CMOS	General purpose I/O.
Y60	GPIO[33]	I/O, CMOS	General purpose I/O.
AB61	GPIO[34]	I/O, CMOS	General purpose I/O.
AC53	GPIO[35]	I/O, CMOS	General purpose I/O.
P60	GPIO[36]	I/O, CMOS	General purpose I/O.
P59	GPIO[37]	I/O, CMOS	General purpose I/O.
R55	GPIO[38]	I/O, CMOS	General purpose I/O.
R57	GPIO[39]	I/O, CMOS	General purpose I/O.
R53	GPIO[40]	I/O, CMOS	General purpose I/O.
W49	GPIO[41]	I/O, CMOS	General purpose I/O.
R51	GPIO[42]	I/O, CMOS	General purpose I/O.
W47	GPIO[43]	I/O, CMOS	General purpose I/O.
L47	GPIO[44]	I/O, CMOS	General purpose I/O.
J47	GPIO[45]	I/O, CMOS	General purpose I/O.
AC49	GPIO[46]	I/O, CMOS	General purpose I/O.
AC47	GPIO[47]	I/O, CMOS	General purpose I/O.
M59	GPIO[48]	I/O, CMOS	General purpose I/O.
L59	GPIO[49]	I/O, CMOS	General purpose I/O.
K61	GPIO[50] <sup>1</sup>	I/O, CMOS	General purpose I/O. Recommended as output only.
H60	GPIO[51]	I/O, CMOS	General purpose I/O.
K60	GPIO[52]	I/O, CMOS	General purpose I/O.

Table 41. General Purpose I/O Interface (Sheet 3 of 3)

Pin #	Pin Mux Name	Pin Type	Description
F59	GPIO[53]	I/O, CMOS	General purpose I/O.
H59	GPIO[54] <sup>1</sup>	I/O, CMOS	General purpose I/O. Recommended as output only.
W53	GPIO[55]	I/O, CMOS	General purpose I/O.

1. Recommended as output only. When used as input, the external driving source shall not interfere with the pin's strap mode or mode 0 function.

Table 42. PWM Alternate Interfaces

Pin #	Pin Mux Name	Pin Type	Description
AP59 AT59 K60 R57 BG55	PWM[0]	O, CMOS	Pulse-Width Modulation output data 0.
AP60 AY59 F59 R55 BH60	PWM[1]	O, CMOS	Pulse-Width Modulation output data 1.
AG59 AR51 P59 BH61	PWM[2]	O, CMOS	Pulse-Width Modulation output data 2.
AB60 AR53 P60 BF59	PWM[3]	O, CMOS	Pulse-Width Modulation output data 3.

Table 43. SM Global Interface

Pin #	Pin Mux Name	Pin Type	Description
AB60 AT59	CLK_25M	O, CMOS	25MHz digital clock output for system usage like RGMII PHY.
AF59	RX_EDID_SCL	I/Ood, CMOS	HDMIRX EDDC SCL
AD59	RX_EDID_SDA	I/Ood, CMOS	HDMIRX EDDC SDA
AF59	SM_GPIO[0]	I/O, CMOS	SM GPIO (Interrupt, remote, and so on).
AD59	SM_GPIO[1]		SM GPIO (Interrupt, remote, and so on).
AG60	SM_GPIO[2]		SM GPIO (Interrupt, remote, and so on).
AH60	SM_GPIO[3]		SM GPIO (Interrupt, remote, and so on).
AG59	SM_GPIO[4]		SM GPIO (Interrupt, remote, and so on).
AB60	SM_GPIO[5]		SM GPIO (Interrupt, remote, and so on).
AP59	SM_GPIO[6]		SM GPIO (Interrupt, remote, and so on).
AP60	SM_GPIO[7]		SM GPIO (Interrupt, remote, and so on).
AR60	SM_GPIO[8] <sup>1</sup>		SM GPIO (Interrupt, remote, and so on). Recommended as output only.
AR51	SM_GPIO[9]		SM GPIO (Interrupt, remote, and so on).
AR53	SM_GPIO[10]		SM GPIO (Interrupt, remote, and so on).
AV59	SM_GPIO[11]		SM GPIO (Interrupt, remote, and so on).
AW57	SM_GPIO[12]		SM GPIO (Interrupt, remote, and so on).
AY60	SM_GPIO[13] <sup>1</sup>		SM GPIO (Interrupt, remote, and so on). Recommended as output only.
AY59	SM_GPIO[14]		SM GPIO (Interrupt, remote, and so on).
AT59	SM_GPIO[15]		SM GPIO (Interrupt, remote, and so on).
AR55	SM_GPIO[16] <sup>1</sup>		SM GPIO (Interrupt, remote, and so on). Recommended as output only.
AR61	SM_GPIO[17] <sup>1</sup>		SM GPIO (Interrupt, remote, and so on). Recommended as output only.
AW51	SM_GPIO[18]		SM GPIO (Interrupt, remote, and so on).
AW55	SM_GPIO[19] <sup>1</sup>		SM GPIO (Interrupt, remote, and so on). Recommended as output only.
BB60	SM_GPIO[20]		SM GPIO (Interrupt, remote, and so on).
BB61	SM_GPIO[21]	SM GPIO (Interrupt, remote, and so on).	
AY59	SM_PWR_OK	I, CMOS	Power Good Detect input.
AG59 AT59	SM_TIMER[0]	O, CMOS	SM Timer output.
AB60 AY59	SM_TIMER[1]	O, CMOS	SM Timer output.
AF59	SM_TW2A_SCL	I/Ood, CMOS	TWSI 2A serial clock.
AD59	SM_TW2A_SDA	I/Ood, CMOS	TWSI 2A serial data.
AG59	SM_TW2B_SCL	I/Ood, CMOS	TWSI 2B serial clock.

Table 43. SM Global Interface (Continued)

Pin #	Pin Mux Name	Pin Type	Description
AB60	SM_TW2B_SDA	I/Ood, CMOS	TWSI 2B serial data.
AY59	SM_UART1_CTSn	I, CMOS	SM UART1 CTSn.
AR55	SM_UART1_RTSn	O, CMOS	SM UART1 RTSn.
AW57	URT2_CTSn	I, CMOS	UART2 CTSn.
AY60	URT2_RTSn	O, CMOS	UART2 RTSn.
AY59	URT2_RXD	I, CMOS	UART2 RXD.
AT59	URT2_TXD	O, CMOS	UART2 TXD.

1. Recommended as output only. When used as input, the external driving source shall not interfere with the pin's strap mode or mode 0 function.

Table 44. Serial Transport Interface

Pin #	Pin Mux Name	Pin Type	Description
BF60	STS2_CLK	I, CMOS	Serial TS capture serial data clock.
BH61	STS2_SD	I, CMOS	Serial TS capture serial data.
BF59	STS2_VALD	I, CMOS	Serial TS capture valid flag.
BG53	STS2_SOP	I, CMOS	Serial TS capture start of packet.
BV59	STS3_CLK	I, CMOS	Serial TS capture serial data clock.
CA58	STS3_SD	I, CMOS	Serial TS capture serial data.
CA59	STS3_VALD	I, CMOS	Serial TS capture valid flag.
BY59	STS3_SOP	I, CMOS	Serial TS capture start of packet.
BT61	STS4_CLK	I, CMOS	Serial TS capture serial data clock.
BT60	STS4_SD	I, CMOS	Serial TS capture serial data.
BM59	STS4_VALD	I, CMOS	Serial TS capture valid flag.
R51	STS5_CLK	I, CMOS	Serial TS capture serial data clock.
R53	STS5_SD	I, CMOS	Serial TS capture serial data.
R55	STS6_CLK	I, CMOS	Serial TS capture serial data clock.
P60	STS6_SD	I, CMOS	Serial TS capture serial data.
K60	STS7_CLK	I, CMOS	Serial TS capture serial data clock.
H60	STS7_SD	I, CMOS	Serial TS capture serial data.
F59	STS7_VALD	I, CMOS	Serial TS capture valid flag.

Table 45. SoC Reset Strapping

Pin #	Pin Mux Name	Primary Pin Name	Pin Type	Description
BK59	boot_src[1]	SPDIFO	PU-boot	CPU Boot Source bit[1]
BP61	boot_src[0]	I2S2_MCLK	PD-boot	CPU boot source bit[0]. boot_src[1:0]: 00: ROM boot from SPI 01: Reserved 10: ROM boot from EMMC 11: Direct boot from SPI (Reserved for factory use only)
K61	software_strap[0](USB_BOOTn)	SPI1_SDO	PU-boot	Straps for software usage ROM code will use this strap to decide booting from USB or not 0: Boot from USB 1: Boot from the device selected by boot_src
H59	software_strap[1]	SPI1_SS0n	PD-boot	Straps for software usage
T61	legacy_boot	RGMII_TXC	PD-boot	Strap to reduce reset wait time 0: 2ms 1: 20ms
V59	software_strap[2]	RGMII_TXD[0]	PD-boot	Straps for software usage
AG47	software_strap[3]	RGMII_TXD[1]	PD-boot	Straps for software usage
W59	cpuRstByps	RGMII_TXD[2]	PD-boot	CPU reset bypass strap 0: Enable reset logic inside cpu partition 1: Bypass reset logic inside cpu partition
Y59	pllPwrDown	RGMII_TXD[3]	PD-boot	SYS/MEM/CPU PLL Power Down 1: Power Down 0: Power UP
AC51	pllByps	RGMII_TXCTL	PD-boot	SYS/MEM/CPU PLL Bypass indicator 0: No Bypass 1: All PLL Bypassed
AW55	SM_STRP[0]	SM_URTO_TXD	PD-boot	SM to SOC RSTn mode select 0: Releasing of the SoC reset does not wait for SM_PWR_OK(mode_0 of SM_SPI2_SS3n, system will assert this signal when SOC core power is ready). 1: Releasing of the SoC reset waits for SM_PWR_OK.
AY60	SM_STRP[1]	SM_SPI2_SDO	PD-boot	Software strap.
AR61	SM_STRP[2]	SM_SPI2_SS0n	PD-boot	Software strap.
AR55	SM_STRP[3]	SM_SPI2_SS1n	PD-boot	Software strap.



Table 46. SoC TWSI Interface

Pin #	Pin Mux Name	Pin Type	Description
J47	TW1A_SCL	I/Ood, CMOS	TW1A serial clock.
L47	TW1A_SDA	I/Ood, CMOS	TW1A serial data.
K60	TW1B_SCL	I/Ood, CMOS	TW1B serial clock.
H60	TW1B_SDA	I/Ood, CMOS	TW1B serial data.

Table 47. SoC UART Interface

Pin #	Pin Mux Name	Pin Type	Description
W49	URT3_CTSn	I, CMOS	UART3 CTSn.
R53	URT3_RTSn	O, CMOS	UART3 RTSn.
W47	URT3_RXD	I, CMOS	UART3 RXD.
R51	URT3_TXD	O, CMOS	UART3 TXD.

Table 48. PHY Debug Interface

Pin #	Pin Mux Name	Pin Type	Description
W47	PHY_DBG[0]	O, CMOS	PHY Debug output data 0.
R51	PHY_DBG[1]	O, CMOS	PHY Debug output data 1.
W49	PHY_DBG[2]	O, CMOS	PHY Debug output data 2.
R53	PHY_DBG[3]	O, CMOS	PHY Debug output data 3.
R57	PHY_DBG[4]	O, CMOS	PHY Debug output data 4.
R55	PHY_DBG[5]	O, CMOS	PHY Debug output data 5.
P59	PHY_DBG[6]	O, CMOS	PHY Debug output data 6.
P60	PHY_DBG[7]	O, CMOS	PHY Debug output data 7.
T60	PHY_DBG[8]	O, CMOS	PHY Debug output data 8.
W55	PHY_DBG[9]	O, CMOS	PHY Debug output data 9.
AC47	PHY_DBG[10]	O, CMOS	PHY Debug output data 10.
AC49	PHY_DBG[11]	O, CMOS	PHY Debug output data 11.
K60	PHY_DBG[12]	O, CMOS	PHY Debug output data 12.
H60	PHY_DBG[13]	O, CMOS	PHY Debug output data 13.
F59	PHY_DBG[14]	O, CMOS	PHY Debug output data 14.
AG47	PHY_DBG[15]	O, CMOS	PHY Debug output data 15.
L59	DBG_CLK	O, CMOS	Debug clock.

Table 49. Test/Monitor Interfaces

Pin #	Pin Mux Name	Pin Type	Description
BG55	ARC_TEST_OUT	O, CMOS	ARC test output.
BK59	AVPLL_CLKO	O, CMOS	AVPLL monitor output.
W47	CPUPLL_CLKO	O, CMOS	CPU PLL monitor output.
BP61	HDMI_FBCLK	O, CMOS	HDMI CLK feedback.
W49	MEMPLL_CLKO	O, CMOS	MEM PLL monitor output.
AT59	MON_VDD1P8_OUT	O, CMOS	VDD1.8V monitor output.
AG59	PORB_AVDD_LV	O, CMOS	Power on reset for AVDD 1.8V power.
AR61	PORB_AVDD33_LV	O, CMOS	Power on reset for AVDD 3.3V power.
AG59	POR_B_VOUT	O, CMOS	Combined power on reset for VDD, 1.8V, 3.3V power.
AB60	POR_VDDSOC_RSTB	O, CMOS	Power on reset for SoC VDD power.
R51	SYSPLL_CLKO	O, CMOS	SYS PLL monitor output.
AR55	VDD_CPU_PORB	O, CMOS	Power on reset for VDD CPU power.

## 2.2. Pin Multiplexing Modes

This section describes the various modes related to the multiplexed pins. The primary pin name reflects the pinout name, while the Mode 0, Mode 1, ..., Mode 7 and Strap multiplex names are located in the respective columns.

Figure 2 shows the multiplexed pin naming scheme that is used for the SM Multiplexed pins.

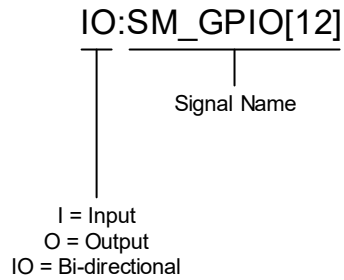


Figure 2. Example of the SM Multiplexed Pin Naming Scheme

Table 50. SM Group Multiplexing

Ball #	Primary Pin Name	Mode 0 <sup>1</sup>	Mode 1	Mode 2	Mode 3	Mode 4	Mode 5	Mode 6	Mode 7	Mode Strap
AF59	SM_TW2_SCL	IO:RX_EDID_SCL	IO:SM_TW2A_SCL	IO:SM_GPIO[0]	—	—	—	—	—	—
AD59	SM_TW2_SDA	IO:RX_EDID_SDA	IO:SM_TW2A_SDA	IO:SM_GPIO[1]	—	—	—	—	—	—
AG59	SM_URT1_TXD	O:POR_B_VOUT	O:SM_URT1_TXD	IO:SM_GPIO[4]	O:PWM[2] <sup>2</sup>	O:SM_TIMER[0]	O:PORB_AVDD_LV	IO:SM_TW2B_SCL	—	—
AB60	SM_URT1_RXD	IO:SM_GPIO[5]	I:SM_URT1_RXD	O:CLK_25M	O:PWM[3] <sup>2</sup>	O:SM_TIMER[1]	O:POR_VDDSOC_RSTB	IO:SM_TW2B_SDA	—	—
AG60	SM_HDMI_TX_HPD	IO:SM_GPIO[2]	I:SM_HDMI_TX_HPD	—	—	—	—	—	—	—
AH60	SM_HDMI_CEC	IO:SM_GPIO[3]	IO:SM_HDMI_CEC	—	—	—	—	—	—	—
AP59	SM_TMS	I:SM_TMS	IO:SM_GPIO[6]	O:PWM[0] <sup>2</sup>	—	—	—	—	—	—
AP60	SM_TDI	I:SM_TDI	IO:SM_GPIO[7]	O:PWM[1] <sup>2</sup>	—	—	—	—	—	—
AR60	SM_TDO	O:SM_TDO	IO:SM_GPIO[8] (Output Only)	—	—	—	—	—	—	—
AR51	SM_TW3_SCL	IO:SM_GPIO[9]	IO:SM_TW3_SCL	O:PWM[2] <sup>2</sup>	—	—	—	—	—	—
AR53	SM_TW3_SDA	IO:SM_GPIO[10]	IO:SM_TW3_SDA	O:PWM[3] <sup>2</sup>	—	—	—	—	—	—
AR61	SM_SPI2_SS0n	O:SM_SPI2_SS0n	IO:SM_GPIO[17] (Output Only)	—	—	—	—	—	O:PORB_AVDD33_LV	SM_STRP[2]
AR55	SM_SPI2_SS1n	IO:SM_GPIO[16] (Output Only)	O:SM_SPI2_SS1n	—	—	—	—	O:SM_URT1_RTSn	O:VDD_CPU_PORB	SM_STRP[3]
AT59	SM_SPI2_SS2n	O:MON_VDD1P8_OUT	O:SM_SPI2_SS2n	IO:SM_GPIO[15]	O:PWM[0] <sup>2</sup>	O:SM_TIMER[0]	O:URT2_TXD <sup>2</sup>	—	O:CLK_25M	—
AY59	SM_SPI2_SS3n	I:SM_PWR_OK	O:SM_SPI2_SS3n	IO:SM_GPIO[14]	O:PWM[1] <sup>2</sup>	O:SM_TIMER[1]	I:URT2_RXD <sup>2</sup>	—	I:SM_URT1_CTSn	—
AY60	SM_SPI2_SDO	O:SM_SPI2_SDO	IO:SM_GPIO[13] (Output Only)	O:URT2_RTSn <sup>2</sup>	—	—	—	—	—	SM_STRP[1]
AW57	SM_SPI2_SDI	I:SM_SPI2_SDI	IO:SM_GPIO[12]	I:URT2_CTSn <sup>2</sup>	—	—	—	—	—	—
AV59	SM_SPI2_SCLK	O:SM_SPI2_SCLK	IO:SM_GPIO[11]	—	—	—	—	—	—	—
AW55	SM_URTO_TXD	O:SM_URTO_TXD	IO:SM_GPIO[19] (Output Only)	—	—	—	—	—	—	SM_STRP[0]
AW51	SM_URTO_RXD	I:SM_URTO_RXD	IO:SM_GPIO[18]	—	—	—	—	—	—	—
BB60	SM_HDMI_RX_HPD	O:SM_HDMI_RX_HPD	IO:SM_GPIO[20]	—	—	—	—	—	—	—
BB61	SM_HDMI_RX_PWR5V	I:SM_HDMI_RX_PWR5V	IO:SM_GPIO[21]	—	—	—	—	—	—	—

1. Mode 0 is the default mode after reset. Strap mode is used only during power-up reset.
2. Function is not available if SoC domain is powered down.

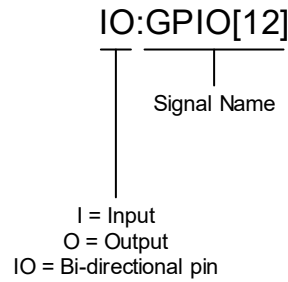


Figure 3. Example of the SoC Multiplexed Pin Naming Scheme

Table 51. SPI Interface Group Multiplexing

Ball #	Primary Pin Name	Mode 0 <sup>1</sup>	Mode 1	Mode 2	Mode 3	Mode 4	Mode 7	Mode Strap
J47	SDIO_CDn	IO:SDIO_CDn	IO:GPIO[45]	IO:TW1A_SCL	—	—	—	—
L47	SDIO_WP	IO:SDIO_WP	IO:GPIO[44]	IO:TW1A_SDA	—	—	—	—
H59	SPI1_SS0n	O:SPI1_SS0n	IO:GPIO[54](output only)	—	—	—	—	software_strap[1]
F59	SPI1_SS1n	IO:GPIO[53]	O:SPI1_SS1n	I:STS7_VALD	—	O:PWM[1]	O:PHY_DBG[14]	—
K60	SPI1_SS2n	IO:GPIO[52]	O:SPI1_SS2n	I:STS7_CLK	IO:TW1B_SCL	O:PWM[0]	O:PHY_DBG[12]	—
H60	SPI1_SS3n	IO:GPIO[51]	O:SPI1_SS3n	I:STS7_SD	IO:TW1B_SDA	—	O:PHY_DBG[13]	—
K61	SPI1_SDO	O:SPI1_SDO	IO:GPIO[50](output only)	—	—	—	—	software_strap[0]
L59	SPI1_SCLK	O:SPI1_SCLK	IO:GPIO[49]	—	—	—	O:DBG_CLK	—
M59	SPI1_SDI	I:SPI1_SDI	IO:GPIO[48]	—	—	—	—	—

1. Mode 0 is the default mode after reset. Strap mode is used only during power-up reset.

Figure 3 shows the multiplexed pin naming scheme that is used for the SoC Multiplexed pins.

Table 52. STSI Group Multiplexing

Ball #	Primary Pin Name	Mode 0 <sup>1</sup>	Mode 1	Mode 2	Mode 3	Mode 4	Mode 7
AC47	TWO_SCL	IO:GPIO[47]	IO:TWO_SCL	—	—	—	O:PHY_DBG[10]
AC49	TWO_SDA	IO:GPIO[46]	IO:TWO_SDA	—	—	—	O:PHY_DBG[11]
W47	STS0_CLK	IO:GPIO[43]	I:STS0_CLK	O:CPUPLL_CLKO	—	I:URT3_RXD	O:PHY_DBG[0]
R51	STS0_SOP	IO:GPIO[42]	I:STS0_SOP	O:SYSPLL_CLKO	I:STS5_CLK	O:URT3_TXD	O:PHY_DBG[1]
W49	STS0_SD	IO:GPIO[41]	I:STS0_SD	O:MEMPLL_CLKO	—	I:URT3_CTSn	O:PHY_DBG[2]
R53	STS0_VALD	IO:GPIO[40]	I:STS0_VALD	—	I:STS5_SD	O:URT3_RTSn	O:PHY_DBG[3]
R57	STS1_CLK	IO:GPIO[39]	I:STS1_CLK	O:PWM[0]	—	—	O:PHY_DBG[4]
R55	STS1_SOP	IO:GPIO[38]	I:STS1_SOP	O:PWM[1]	I:STS6_CLK	—	O:PHY_DBG[5]
P59	STS1_SD	IO:GPIO[37]	I:STS1_SD	O:PWM[2]	—	—	O:PHY_DBG[6]
P60	STS1_VALD	IO:GPIO[36]	I:STS1_VALD	O:PWM[3]	I:STS6_SD	—	O:PHY_DBG[7]
W53	USB2_DRV_VBUS	O:USB2_DRV_VBUS	IO:GPIO[55]	—	—	—	—

1. Mode 0 is the default mode after reset.

Ball #	Primary Pin Name	Mode 0 <sup>1</sup>	Mode 1	Mode 7	Mode Strap
T60	RGMII_MDC	O:RGMII_MDC	IO:GPIO[29]	O:PHY_DBG[8]	—

Ball #	Primary Pin Name	Mode 0 <sup>1</sup>	Mode 1	Mode 7	Mode Strap
W55	RGMII_MDIO	IO:RGMII_MDIO	IO:GPIO[28]	O:PHY_DBG[9]	—
T61	RGMII_TXC	O:RGMII_TXC	IO:GPIO[23] (output only)	—	legacy_boot
V59	RGMII_TXD[0]	O:RGMII_TXD[0]	IO:GPIO[27] (output only)	—	software_strap[2]
AG47	RGMII_TXD[1]	O:RGMII_TXD[1]	IO:GPIO[26] (output only)	O:PHY_DBG[15]	software_strap[3]
W59	RGMII_TXD[2]	O:RGMII_TXD[2]	IO:GPIO[25] (output only)	—	cpuRstByps
Y59	RGMII_TXD[3]	O:RGMII_TXD[3]	IO:GPIO[24] (output only)	—	pllPwrDown
AC51	RGMII_TXCTL	O:RGMII_TXCTL	IO:GPIO[22] (output only)	—	pllByps
AG49	RGMII_RXC	I:RGMII_RXC	IO:GPIO[31]	—	—
AC53	RGMII_RXD[0]	I:RGMII_RXD[0]	IO:GPIO[35]	—	—
AB61	RGMII_RXD[1]	I:RGMII_RXD[1]	IO:GPIO[34]	—	—
Y60	RGMII_RXD[2]	I:RGMII_RXD[2]	IO:GPIO[33]	—	—
AG51	RGMII_RXD[3]	I:RGMII_RXD[3]	IO:GPIO[32]	—	—
AC55	RGMII_RXCTL	I:RGMII_RXCTL	IO:GPIO[30]	—	—

1. Mode 0 is the default mode after reset. Strap mode is only used during power-up reset.

Table 53. AVIO\_I2S Group Multiplexing

Ball #	Primary Pin Name	Mode 0 <sup>1</sup>	Mode 1	Mode 2	Mode 3	Mode 4	Mode 7	Mode Strap
BD59	I2S1_DO[0]	IO:GPIO[19]	O:I2S1_DO[0]	—	—	—	O:AVIO_DBG[4]	—
BF60	I2S1_DO[1]	IO:GPIO[17]	O:I2S1_DO[1]	—	I:STS2_CLK	—	O:AVIO_DBG[5]	—
BH61	I2S1_DO[2]	IO:GPIO[16]	O:I2S1_DO[2]	O:PWM[2]	I:STS2_SD	I:PDMB_DI[2]	O:AVIO_DBG[6]	—
BF59	I2S1_DO[3]	IO:GPIO[15]	O:I2S1_DO[3]	O:PWM[3]	I:STS2_VALD	I:PDMB_DI[3]	O:AVIO_DBG[7]	—
BG55	I2S1_LRCK	IO:GPIO[21]	IO:I2S1_LRCK	O:PWM[0]	O:ARC_TEST_OUT	—	O:AVIO_DBG[0]	—
BH60	I2S1_BCLK	IO:GPIO[20]	IO:I2S1_BCLK	O:PWM[1]	—	—	O:AVIO_DBG[1]	—
BK59	SPDIFO	IO:GPIO[14]	O:SPDIFO	—	—	O:AVPLL_CLKO	—	boot_src[1]
BL59	SPDIFI	IO:GPIO[4]	I:SPDIFI	I:PDMC_DI	—	—	—	—
BM60	I2S2_LRCK	IO:GPIO[13]	IO:I2S2_LRCK	—	—	—	—	—
BP60	I2S2_BCLK	IO:GPIO[12]	IO:I2S2_BCLK	IO:PDMA_CLKIO	—	—	—	—
BT59	I2S2_DI[0]	IO:GPIO[11]	I:I2S2_DI[0]	I:PDMA_DI[3]	—	—	—	—
BM59	I2S2_DI[1]	IO:GPIO[10]	I:I2S2_DI[1]	I:PDMA_DI[2]	I:STS4_VALD	—	—	—
BT61	I2S2_DI[2]	IO:GPIO[9]	I:I2S2_DI[2]	I:PDMA_DI[1]	I:STS4_CLK	—	—	—
BT60	I2S2_DI[3]	IO:GPIO[8]	I:I2S2_DI[3]	I:PDMA_DI[0]	I:STS4_SD	—	—	—
BG53	I2S1_MCLK	IO:GPIO[18]	IO:I2S1_MCLK	—	I:STS2_SOP	—	O:AVIO_DBG[3]	—
BP61	I2S2_MCLK	IO:GPIO[7]	IO:I2S2_MCLK	IO:PDMB_CLKIO	—	O:HDMI_FBCLK	—	boot_src[0]
BL49	HDMI_TX_EDDC_SCL	IO:HDMI_TX_EDDC_SCL	IO:GPIO[6]	—	—	—	—	—
BL51	HDMI_TX_EDDC_SDA	IO:HDMI_TX_EDDC_SDA	IO:GPIO[5]	—	—	—	—	—
BY59	I2S3_DO	IO:GPIO[1]	O:I2S3_DO	—	I:STS3_SOP	—	O:AVIO_DBG[2]	—
BV59	I2S3_LRCK	IO:GPIO[3]	IO:I2S3_LRCK	—	I:STS3_CLK	—	—	—
CA58	I2S3_BCLK	IO:GPIO[2]	IO:I2S3_BCLK	—	I:STS3_SD	—	—	—
CA59	I2S3_DI	IO:GPIO[0]	I:I2S3_DI	—	I:STS3_VALD	—	—	—

1. Mode 0 is the default mode after reset. Strap mode is only used during power-up reset.

## 3. Electrical Specifications

### 3.1. Absolute Maximum Ratings

Stresses above those listed in the Absolute Maximum Ratings may cause permanent device failure. Functionality at or above these limits is not implied. Exposure to absolute maximum ratings for extended periods may affect device reliability.

Table 54. Absolute Maximum Ratings

Symbol	Parameter	Min	Typ	Max	Units
VDDIO1P8	All IO supply voltage at 1.8V	-0.3	—	1.98	V
AVDD1P8	All Analog supply voltage at 1.8V	-0.3	—	1.98	
SDIO_VDDIO3P3	SDIO IO supply voltage at 3.3V	-0.3	—	3.63	
AVDD3P3	All analog supply voltage at 3.3V	-0.3	—	3.63	
AVDD	All analog supply voltage at 0.8V	-0.1	—	1.12	
DVDD	All digital supply voltage at 0.8V	-0.1	—	1.12	
SM_VDD_CORE	SM Core supply voltage	-0.1	—	0.96	
VDD_CPU	CPU supply Voltage	-0.1	—	1.12	
VDD_CORE	CORE supply voltage	-0.1	—	1.12	
M0_AVDD1P8	MEMPLL analog power at 1.8V	-0.3	—	1.98	
VDDQ	LPDDR4 IO power at 1.1V	-0.3	—	1.21	
VDDQLP	LPDDR4(x) IO power at 1.1V or 0.6V	-0.3	—	1.21	
V <sub>IN</sub>	Input signals supplied by SDIO_VDDIO3P3	-0.3	—	3.63	
V <sub>OUT</sub>	Output signals supplied by SDIO_VDDIO3P3	-0.3	—	3.63	
V <sub>PIN</sub>	SDIO_CDn, SDIO_WP, SPI1_SS2n, SPI1_SS3n, TWO_SCL, TWO_SDA, SM_TW2_SCL, SM_TW2_SDA, SM_URT1_TXD, SM_URT1_RXD, SM_HDMI_HPD, SM_HDMI_CEC, SM_TW3_SCL, SM_TW3_SDA, SM_URTO_TXD, SM_URTO_RXD, SM_HDMIRX_HPD, SM_HDMIRX_PWR5V, HDMI_TX_EDDC_SCL, HDMI_TX_EDDC_SDA	-0.3	—	1.98	
	Other input and output signals supplied by VDDIO1P8			1.98 or VDDIO1P8 +0.2 whichever is less	
T <sub>STORAGE</sub>	Storage temperature	-55	—	+125 <sup>1</sup>	°C

1. 125°C is the re-bake temperature. For extended storage time greater than 24 hours, +85°C should be the maximum.

## 3.2. Recommended Operating Conditions

Table 55. Recommended Operating Conditions

Symbol	Parameter	Condition	Min	Typ	Max	Units
VDDIO1P8	All IO supply voltage at 1.8V	—	1.71	1.8	1.89	V
AVDD1P8	All analog supply voltage at 1.8V	—	1.71	1.8	1.89	
SDIO_VDDIO3P3	SDIO IO supply voltage at 3.3V	—	3.135	3.3	3.465	
AVDD3P3	All analog supply voltage at 3.3V	—	3.135	3.3	3.465	
AVDD	All analog supply voltage at 0.8V	Consumer	0.72	—	0.958	
		Industrial	0.72	—	0.998	
DVDD	All digital supply voltage at 0.8V	Consumer	0.72	—	0.958	
		Industrial	0.72	—	0.998	
SM_VDD_CORE	SM Core supply voltage	—	0.72	—	0.88	
VDD_CPU <sup>1</sup>	CPU supply voltage	Consumer	0.72	0.8	1.037	
		Industrial	0.72	0.8	1.076	
VDD_CORE <sup>1</sup>	CORE supply voltage	Consumer	0.72	0.8	0.958	
		Industrial	0.72	0.8	0.998	
VDD_CPU-VDD_CORE	Difference between CPU and CORE supplies <sup>2</sup>	—	-100	—	100	mV
M0_AVDD1P8	MEMPLL analog power at 1.8V	—	1.71	1.8	1.89	V
VDDQ	LPDDR4 IO power at 1.1V	—	1.06	1.1	1.17	
VDDQLP	LPDDR4 IO power at 1.1V	—	1.06	1.1	1.17	
	LPDDR4x IO power at 0.6V	—	0.57	0.6	0.63	
T <sub>A</sub>	Ambient operating temperature <sup>3</sup>	Consumer	0	—	70	°C
		Industrial	-40	—	85	
T <sub>J</sub>	Junction temperature	Consumer	0	—	105	
		Industrial	-40	—	125	
R <sub>MO_CAL</sub>	LPDDR4 reference current resistor, connect to VSS	—	—	120± 1%	—	ohm
R <sub>USB2_REXT</sub>	USB 2.0 PHY reference current resistor, connect to AVSS	—	—	200± 1%	—	
R <sub>USB2_VBUS_REXT</sub>	USB 2.0 PHY VBUS pin isolation resistor, connect to 5V VBUS voltage on USB link	—	—	30K± 1%	—	
R <sub>USB3_REXT</sub>	USB 3.0 PHY reference current resistor, connect to AVSS	—	—	200± 1%	—	
R <sub>USB3_VBUS_REXT</sub>	USB 3.0 PHY VBUS pin isolation resistor, connect to 5V VBUS voltage on USB link	—	—	30K± 1%	—	
R <sub>PCIE_REXT</sub>	PCIE PHY reference current resistor, connect to AVSS	—	—	200± 1%	—	
R <sub>HDMI_TX_REXT</sub>	HDMI TX reference current resistor, connect to AVSS	—	—	1.62K± 1%	—	
R <sub>HDMI_RX_REXT</sub>	HDMI RX reference current resistor, connect to AVSS	—	—	200± 1%	—	
R <sub>MIPI_DSI_REXT</sub>	MIPI DSI reference current resistor, connect to AVSS	—	—	200± 1%	—	
R <sub>MIPI_CSI_REXT</sub>	MIPI CSI reference current resistor, connect to AVSS	—	—	200± 1%	—	

1. The optimum core supply voltage is determined by the individual chip manufacturing process variation. The system software reads an index stored in the on-chip OTP memory and controls the VDD regulator output voltage. The nominal regulation of the VDD regulator should be within ±3%. For details refer to the *PV Compensation Application Note*.

2. For normal operation only, not applicable during power up/down.

3. The important parameter is maximum junction temperature. The maximum junction temperature needs to be observed in addition to the ambient temperature limits.



### 3.2.1. Power-up Sequence

This section discusses the recommended power-up sequence.

Table 56. SL1680 Power-up Requirement

Power-up Timing Parameter	Power Rails	Min	Typ	Max	Units
Ramp rate	VDD_CORE, VDD_CPU	—	—	32	mV/uS
	All of DVDD	—	—	32	
	All of AVDD				
	All of VDDIO1P8	—	—	18	
	All of AVDD1P8				
	VDDQLP	—	—	5	
	VDDQ			100	
	All of AVDD3P3				
	SDIO_VDDIO3P3	—	—	5.1	
MO_AVDD1P8					
T1-T0, Time duration between power rails ramp	VDD_CORE and SoC AVDD1P8 power rails	0	—	—	mS

Table 57. On-chip Power-on-Reset (PoR) Thresholds

Parameter	Description	Min	Typ	Max	Units
CORE POR	$V_{thl}$	0.44	0.49	0.53	V
	$V_{tlh}$	0.48	0.51	0.57	
IO POR	$V_{tlh\_1P8}$	1.32	1.38	1.49	
	$V_{thl\_1P8}$	1.32	1.38	1.49	
	$V_{tlh\_3P3}$	2.35	2.5	2.67	
	$V_{thl\_3P3}$	2.35	2.5	2.67	

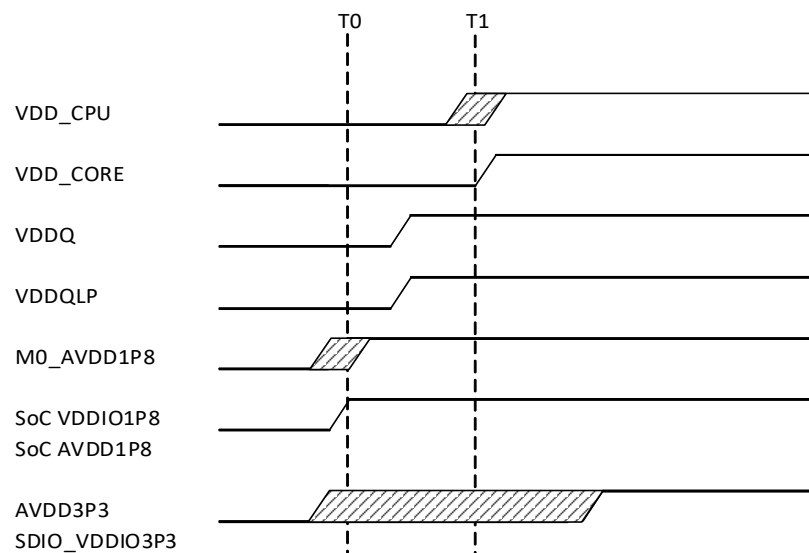


Figure 4. SL1680 Recommended power-up sequence in SoC power domain

**Note:**

1. VDD\_CORE starts ramping up (T1) after SoC AVDD1P8 reaches its 100% of 1.8V (T0).
2. MO\_AVDD1P8, VDDQ and VDDQLP shall follow the power sequence requirement from the DRAM devices if shared with the DRAM. Otherwise, no specific sequence required between them or relative to other power rails.
3. VDD\_CPU and VDD\_CORE are recommended to ramp up relatively close to each other. No specific sequence is required between them.
4. No specific sequence is required regarding the SoC 3.3V power rails.
5. No specific sequence is required between SM power rails, or between SM and SoC power rails.
6. Follow the above power sequence requirements when returning from a partially powered-off state such as low-power standby.

### 3.3. Crystal Specifications

Table 58. Crystal Specifications

Parameter	Condition	Typical	Unit
Fundamental Frequency	—	25	MHz
Frequency Tolerance	0 - 70 °C (for consumer) -40 - 85 °C (for industrial)	$\leq \pm 50$	ppm
Load Capacitance	—	$g^1$	pF
Max. ESR	—	60	ohm
Drive Level	—	35	uW
Mode of Oscillation	—	Fundamental	—

1. For more design details, please contact the Synaptics application engineering team.

### 3.4. Thermal Conditions for the SL1680 Device 605-pin BGA Package

Table 59. Thermal Conditions<sup>1</sup> for the SL1680 Device

Symbol	Parameter	Condition	Spec.	Min	Typ	Max	Units
$\theta_{JA}$	Thermal resistance-junction to ambient of the SL1680 device 605-pin BGA package $\theta_{JA} = (T_J - T_A) / P$ P = Total Power Dissipation	JEDEC 4 in. x 4.5 in. 4-layer PCB with no air flow	Consumer	—	12.41	—	
			Industrial	—	10.96	—	
		JEDEC 4 in. x 4.5 in. 4-layer PCB with 1 meter/sec air flow	Consumer	—	10.79	—	
			Industrial	—	—	—	
		JEDEC 4 in. x 4.5 in. 4-layer PCB with 2 meter/sec air flow	Consumer	—	10.15	—	
			Industrial	—	10.448	—	
JEDEC 4 in. x 4.5 in. 4-layer PCB with 3 meter/sec air flow	Consumer	—	—	—			
	Industrial	—	9.676	—			
$\psi_{JT}$	Thermal characteristic parameter-junction to top center of the SL1680 device 605-pin BGA package $\psi_{JT} = (T_J - T_{TOP}) / P$ . $T_{TOP}$ = Temperature on the top center of the package	JEDEC 4 in. x 4.5 in. 4-layer PCB with no air flow	Consumer	—	0.04	—	°C/W
			Industrial	—	0.01655	—	
		JEDEC 4 in. x 4.5 in. 4-layer PCB with 1 meter/sec air flow	Consumer	—	0.03	—	
			Industrial	—	—	—	
		JEDEC 4 in. x 4.5 in. 4-layer PCB with 2 meter/sec air flow	Consumer	—	0.03	—	
			Industrial	—	0.0176	—	
JEDEC 4 in. x 4.5 in. 4-layer PCB with 3 meter/sec air flow	Consumer	—	—	—			
	Industrial	—	0.0178	—			
$\theta_{JC}$	Thermal resistance-junction to case of the SL1680 device 605-pin BGA package $\theta_{JC} = (T_J - T_C) / P_{TOP}$ $P_{TOP}$ = Power Dissipation from the top of the package	JEDEC with no air flow	Consumer	—	0.10	—	
			Industrial	—	0.082	—	
$\theta_{JB}$	Thermal resistance-junction to board of the SL1680 device 605-pin BGA package $\theta_{JB} = (T_J - T_B) / P_{bottom}$ $P_{bottom}$ = power dissipation from the bottom of the package to the PCB surface.	JEDEC with no air flow	Consumer	—	4.32	—	
			Industrial	—	3.153	—	

1. For definitions and usage of the thermal parameters in this table, refer to JESD51-12.01.

## 3.5. AC and DC Electrical Characteristics

### 3.5.1. Digital Pins Operating Conditions

(Over full range of values listed in Table 55, Recommended Operating Conditions unless otherwise specified.)

Table 60. Digital Operating Conditions (Sheet 1 of 6)

Symbol	Parameter	Pins	Condition	Min	Typ	Max	Units
V <sub>IH</sub>	High level input voltage with Schmitt Trigger disabled	All 1.8V Digital IO pins	—	0.65*VDDIO1P8	—	1.98	V
		HDMI_TX_HPDP	—	2.0	—	5.3	
V <sub>IL</sub>	Low level input voltage with Schmitt Trigger disabled	All 1.8V Digital IO pins	—	-0.3	—	0.35*VDDIO1P8	
		HDMI_TX_HPDP	—	0	—	0.8	

Table 60. Digital Operating Conditions (Sheet 2 of 6)

Symbol	Parameter	Pins	Condition	Min	Typ	Max	Units
$V_{T+}$	Low to High Threshold Point with Schmitt Trigger enabled	SDIO_CDn, SDIO_WP, SPI1_SS2n, SPI1_SS3n, TW0_SCL, TW0_SDA, SM_TW2_SCL, SM_TW2_SDA, SM_URT1_TXD, SM_URT1_RXD, SM_HDMI_HPD, SM_HDMI_CEC, SM_TW3_SCL, SM_TW3_SDA, SM_URTO_TXD, SM_URTO_RXD, SM_HDMIRX_HPD, SM_HDMIRX_PWR5V, HDMI_TX_EDDC_SCL, HDMI_TX_EDDC_SDA	–	0.98	1.09	1.21	V
		SDIO_DATA[3:0] SDIO_CMD	SDIO VIO under 1.8V	1.07	–	–	
			SDIO VIO under 3.3V	1.68	–	–	
		EMMC_DATA[7:0] EMMC_CMD EMMC_STRB	–	1.07	–	–	
		SM_POR_EN SM_RSTIn SM_TEST_EN SM_JTAG_SEL SM_TCK SM_TRSTn	–	0.95	1.06	1.16	
	Other 1.8V digital IO pins	–	1	1.12	1.23		

Table 60. Digital Operating Conditions (Sheet 3 of 6)

Symbol	Parameter	Pins	Condition	Min	Typ	Max	Units
V <sub>T</sub>	High to Low Threshold Point with Schmitt Trigger enabled	SDIO_CDn, SDIO_WP, SPI1_SS2n, SPI1_SS3n, TW0_SCL, TW0_SDA, SM_TW2_SCL, SM_TW2_SDA, SM_URT1_TXD, SM_URT1_RXD, SM_HDMI_HPD, SM_HDMI_CEC, SM_TW3_SCL, SM_TW3_SDA, SM_URTO_TXD, SM_URTO_RXD, SM_HDMI_RX_HPD, SM_HDMI_RX_PWR5V, HDMI_TX_EDDC_SCL, HDMI_TX_EDDC_SDA	—	0.76	0.86	0.97	V
		SDIO_DATA[3:0] SDIO_CMD	SDIO VIO under 1.8V	—	—	0.68	
			SDIO VIO under 3.3V	—	—	0.9	
		EMMC_DATA[7:0] EMMC_CMD EMMC_STRB	—	—	—	0.68	
		SM_POR_EN SM_RSTIn SM_TEST_EN SM_JTAG_SEL SM_TCK SM_TRSTn	—	0.68	0.76	0.85	
	Other 1.8V digital IO pins	—	0.67	0.76	0.84		

Table 60. Digital Operating Conditions (Sheet 4 of 6)

Symbol	Parameter	Pins	Condition	Min	Typ	Max	Units
R <sub>PU</sub>	Pull-up Resistor	SDIO_CDn, SDIO_WP, SPI1_SS2n, SPI1_SS3n, TW0_SCL, TW0_SDA, SM_TW2_SCL, SM_TW2_SDA, SM_URT1_TXD, SM_URT1_RXD, SM_HDMI_HPD, SM_HDMI_CEC, SM_TW3_SCL, SM_TW3_SDA, SM_URTO_TXD, SM_URTO_RXD, SM_HDMI_RX_HPD, SM_HDMI_RX_PWR5V, HDMI_TX_EDDC_SCL, HDMI_TX_EDDC_SDA	—	32K	48K	79K	Ohm
		SM_POR_EN SM_RSTIn SM_TEST_EN SM_JTAG_SEL SM_TCK SM_TRSTn	—	57K	87K	146K	
		Other 1.8V digital IO pins <sup>1</sup>	—	19K	26K	39K	
R <sub>PD</sub>	Pull-down Resistor	SDIO_CDn, SDIO_WP, SPI1_SS2n, SPI1_SS3n, TW0_SCL, TW0_SDA, SM_TW2_SCL, SM_TW2_SDA, SM_URT1_TXD, SM_URT1_RXD, SM_HDMI_HPD, SM_HDMI_CEC, SM_TW3_SCL, SM_TW3_SDA, SM_URTO_TXD, SM_URTO_RXD, SM_HDMI_RX_HPD, SM_HDMI_RX_PWR5V, HDMI_TX_EDDC_SCL, HDMI_TX_EDDC_SDA	—	30K	44K	68K	Ohm
		SM_POR_EN SM_RSTIn SM_TEST_EN SM_JTAG_SEL SM_TCK SM_TRSTn	—	54K	79K	127K	
		Other 1.8V digital IO pins <sup>1</sup>	—	18K	24K	34K	

Table 60. Digital Operating Conditions (Sheet 5 of 6)

Symbol	Parameter	Pins	Condition	Min	Typ	Max	Units
$I_{OL}$ @ 0.45V	DS[3:0]=0000	SDIO_CDn, SDIO_WP, SPI1_SS2n, SPI1_SS3n, TW0_SCL, TW0_SDA, SM_TW2_SCL, SM_TW2_SDA, SM_URT1_TXD, SM_URT1_RXD, SM_HDMI_HPD, SM_HDMI_CEC, SM_TW3_SCL, SM_TW3_SDA, SM_URTO_TXD, SM_URTO_RXD, SM_HDMI_RX_HPD, SM_HDMI_RX_PWR5V, HDMI_TX_EDDC_SCL, HDMI_TX_EDDC_SDA	—	0.7	1.1	1.4	mA
	DS[3:0]=0001			1.1	1.6	2.1	
	DS[3:0]=0010			2.2	3.2	4.1	
	DS[3:0]=0011			3.3	4.8	6.2	
	DS[3:0]=0100			4.4	6.4	8.2	
	DS[3:0]=0101			5.5	7.9	10.2	
	DS[3:0]=0110			6.6	9.5	12.3	
	DS[3:0]=0111			7.7	11.1	14.3	
	DS[3:0]=1000			8.8	12.6	16.2	
	DS[3:0]=1001			9.8	14.2	18.3	
	DS[3:0]=1010			10.9	15.8	20.3	
	DS[3:0]=1011			12	17.4	22.3	
	DS[3:0]=1100			13.1	18.8	24.1	
	DS[3:0]=1101			14.2	20.4	26.1	
	DS[3:0]=1110			15.2	22	28.1	
	DS[3:0]=1111	16.3	23.5	30.1			
	DS[2:0]=000	Other 1.8V digital IO pins <sup>1</sup>	—	2.2	3.1	4.1	
	DS[2:0]=001			4.6	6.7	8.7	
	DS[2:0]=010			6.6	9.6	12.5	
	DS[2:0]=011			8.9	12.8	16.7	
	DS[2:0]=100			12.3	17.8	23.1	
DS[2:0]=101	14.3			20.7	26.8		
DS[2:0]=110	15.8			22.9	29.6		
DS[2:0]=111	17.6			25.5	33		



Table 60. Digital Operating Conditions (Sheet 6 of 6)

Symbol	Parameter	Pins	Condition	Min	Typ	Max	Units
$I_{OH}$ @ VDDIO-0.45	DS[3:0]=0000	SDIO_CDn, SDIO_WP, SPI1_SS2n, SPI1_SS3n, TW0_SCL, TW0_SDA, SM_TW2_SCL, SM_TW2_SDA, SM_URT1_TXD, SM_URT1_RXD, SM_HDMI_HPD, SM_HDMI_CEC, SM_TW3_SCL, SM_TW3_SDA, SM_URTO_TXD, SM_URTO_RXD, SM_HDMI_RX_HPD, SM_HDMI_RX_PWR5V, HDMI_TX_EDDC_SCL, HDMI_TX_EDDC_SDA	—	0.7	1.1	1.5	mA
	DS[3:0]=0001			1.1	1.7	2.3	
	DS[3:0]=0010			2.2	3.3	4.5	
	DS[3:0]=0011			3.2	5.0	6.7	
	DS[3:0]=0100			4.3	6.6	8.9	
	DS[3:0]=0101			5.4	8.2	11.1	
	DS[3:0]=0110			6.4	9.8	13.2	
	DS[3:0]=0111			7.5	11.5	15.4	
	DS[3:0]=1000			8.5	13.0	17.4	
	DS[3:0]=1001			9.6	14.7	19.6	
	DS[3:0]=1010			10.6	16.3	21.8	
	DS[3:0]=1011			11.7	17.9	23.9	
	DS[3:0]=1100			12.7	19.4	25.9	
	DS[3:0]=1101			13.8	21.0	28.0	
	DS[3:0]=1110			14.8	22.6	30.0	
DS[3:0]=1111	15.8	24.2	32.2				
$I_{OH}$ @VDDIO- 0.45V	DS[2:0]=000	Other 1.8V digital IO pins <sup>1</sup>	—	1.8	2.8	3.7	mA
	DS[2:0]=001			3.9	5.9	7.8	
	DS[2:0]=010			5.6	8.4	11.2	
	DS[2:0]=011			7.5	11.2	15.0	
	DS[2:0]=100			10.4	15.5	20.6	
	DS[2:0]=101			12.0	18.1	23.9	
	DS[2:0]=110			13.3	20.0	26.5	
	DS[2:0]=111			14.8	22.2	29.5	
Input Capacitance	—	—	—	—	—	3.2	pF
$I_I$	Input Leakage Current	—	$V_I=1.8V$ or 0V	—	—	±10	μA
$I_{OZ}$	Tri-state Output Leakage Current	—	$V_O=1.8V$ or 0V	—	—	±10	

1. eMMC and SDIO pins are not included unless specified.

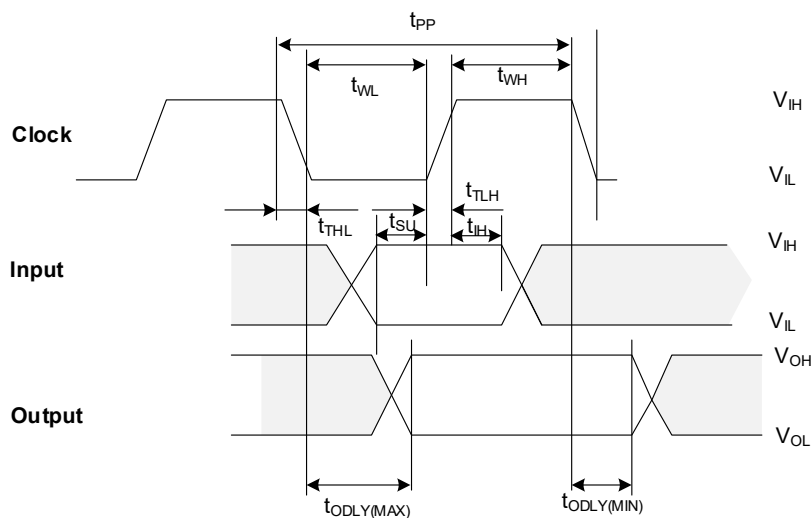
### 3.5.2. SD, SDIO Timing

#### 3.5.2.1. SD, SDIO Default Mode Timing Parameters

(Over full range of values listed in Table 55, Recommended Operating Conditions unless otherwise specified.)

Table 61. SD, SDIO Default Mode Timing Parameters

Symbol	Parameter	Condition	Min	Typ	Max	Units
$f_{PP}$	Clock Frequency Data Transfer Mode	—	0	25	25	MHz
$f_{OD}$	Clock Frequency Identification Mode	—	0	—	400	kHz
$t_{WL}$	Clock Low time	—	10	—	—	ns
$t_{WH}$	Clock High time	—	10	—	—	
$t_{TLH}$	Clock Rise time	—	—	—	10	
$t_{THL}$	Clock Fall time	—	—	—	10	
<b>Inputs CMD, DAT (referenced to Clock):</b>						
$t_{ISU}$	Input Setup time	—	—	—	—	ns
$t_{IH}$	Input Hold time	—	—	—	—	
<b>Outputs CMD, DAT (referenced to Clock):</b>						
$t_{ODLY}$	Output delay time	Data Transfer Mode	0	—	14	ns
$t_{ODLY}$	Output delay time	Identification Mode	0	—	50	



Shaded areas are not valid

Figure 5. Timing Diagram Data Input/Output Referenced to Clock (Default)

### 3.5.2.2. SD, SDIO High-speed Mode Timing Parameters

(Over full range of values listed in [Table 55, Recommended Operating Conditions](#) unless otherwise specified.)

Table 62. SD, SDIO High-Speed Mode Timing Parameters

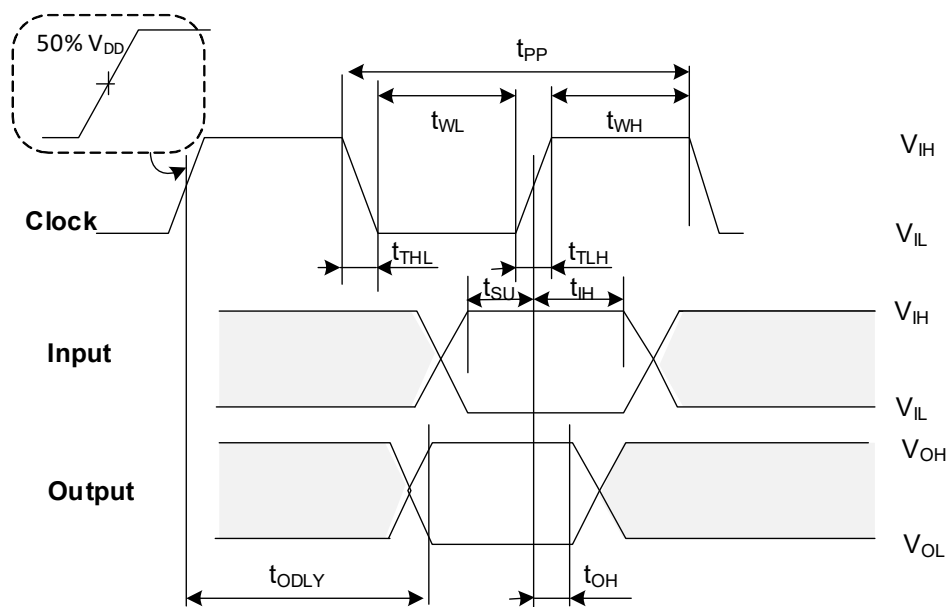
Symbol	Parameter	Condition	Min	Typ	Max	Units
$f_{PP}$	Clock Frequency Data Transfer Mode	–	0	50	50	MHz
$t_{WL}$	Clock Low time	–	7	–	–	ns
$t_{WH}$	Clock High time	–	7	–	–	
$t_{TLH}$	Clock Rise time	–	–	–	3	
$t_{THL}$	Clock Fall time	–	–	–	3	
<b>Inputs CMD, DAT (referenced to Clock):</b>						
$t_{ISU}$	Input Setup time	–	–	–	–	ns
$t_{IH}$	Input Hold time	–	–	–	–	
<b>Outputs CMD, DAT (referenced to Clock):</b>						
$t_{ODLY}$	Output Delay time	Data Transfer mode	0	–	14	ns
$t_{OH}$	Output Hold time	–	2.5	–	–	

### 3.5.2.3. SD, SDIO SDR104 Mode Timing Parameters

(Over full range of values listed in [Table 55, Recommended Operating Conditions](#) unless otherwise specified.)

Table 63. SD, SDIO SDR104 Mode Timing Parameters

Symbol	Parameter	Condition	Min	Typ	Max	Units
$f_{PP}$	Clock Frequency Data Transfer Mode	–	0	208	208	MHz
$t_{WL}$	Clock Low time	–	1.44	–	–	ns
$t_{WH}$	Clock High time	–	1.44	–	–	
$t_{TLH}$	Clock Rise time	–	–	–	0.96	
$t_{THL}$	Clock Fall time	–	–	–	0.96	
<b>Inputs DAT (referenced to Clock):</b>						
$t_{ISU}$	Input Setup time	–	–	–	–	ns
$t_{IH}$	Input Hold time	–	–	–	–	



Shaded areas are not valid

Figure 6. Timing Diagram Data Input/Output Referenced to Clock (High-speed and SDR104 mode)

### 3.5.3. Two-Wire Serial Interface (TWSI) Timing

#### 3.5.3.1. TWSI Standard and Fast Mode Timing

(Over full range of values listed in [Table 55, Recommended Operating Conditions](#) unless otherwise specified.)

Table 64. TWSI Standard and Fast Mode Timing

Symbol	Parameter	Condition	Min	Typ	Max	Units
F <sub>TWSI_SCL</sub>	SCL Clock Frequency	100 kHz	–	–	100	kHz
		400 kHz	–	–	400	
T <sub>TWSI_NS</sub>	Noise Suppression Time at SCL, SDA Inputs	100 kHz	–	–	80	ns
		400 kHz	–	–	80	
T <sub>TWSI_R</sub>	SCL, SDA Rise time	100 kHz	–	–	1000	
		400 kHz	–	–	300	
T <sub>TWSI_F</sub>	SCL, SDA Fall Time	100 kHz	–	–	300	
		400 kHz	–	–	300	
T <sub>TWSI_HIGH</sub>	Clock High Period	100 kHz	4000	–	–	
		400 kHz	600	–	–	
T <sub>TWSI_LOW</sub>	Clock Low Period	100 kHz	4700	–	–	
		400 kHz	1300	–	–	
T <sub>TWSI_SU:STA</sub>	Start Condition Setup Time (for a Repeated Start Condition)	100 kHz	4700	–	–	
		400 kHz	600	–	–	
T <sub>TWSI_HD:STA</sub>	Start Condition Hold Time	100 kHz	4000	–	–	
		400 kHz	600	–	–	
T <sub>TWSI_SU:STO</sub>	Stop Condition Setup Time	100 kHz	4000	–	–	
		400 kHz	600	–	–	
T <sub>TWSI_SU:DAT</sub>	Data in Setup Time	100 kHz	250	–	–	
		400 kHz	100	–	–	
T <sub>TWSI_HD:DAT</sub>	Data in Hold Time	100 kHz	0	–	–	
		400 kHz	0	–	–	
T <sub>TWSI_BUF</sub>	Bus Free Time	100 kHz	4700	–	–	
		400 kHz	1300	–	–	
T <sub>TWSI_DLY</sub>	SCL Low to SDA Data Out Valid	100 kHz	40	–	200	
		400 kHz	40	–	200	

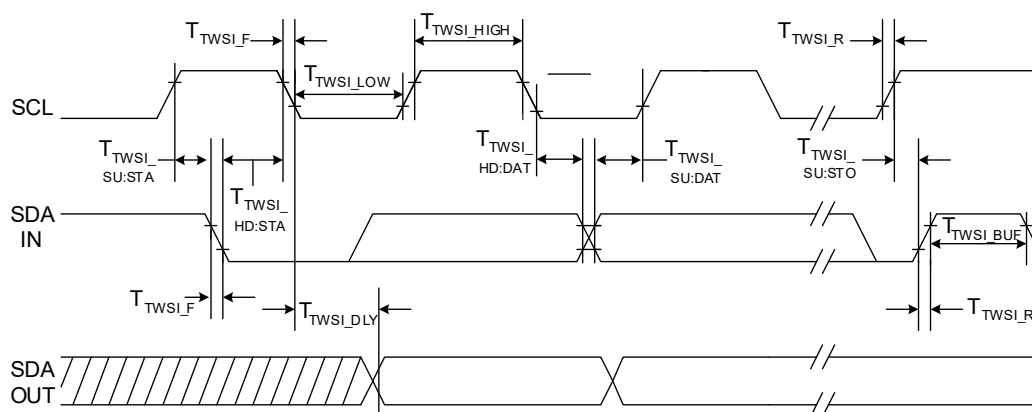


Figure 7. Two-Wire Serial Interface Timing

### 3.5.4. RGMII Timing

Table 65. RGMII Interface Timing

Symbol	Parameter	Min	Typ	Max	Units
$T_{skewT}$	Data to Clock output Skew (at transmitter)	-500	0	500	ps
$T_{skewR}$	Clock to Data input Skew (at receiver)	1.0	—	2.6	ns
$T_{CYCLE}$	Clock Cycle Duration	7.2	8.0	8.8	
$T_{CYCLE\_HIGH1000}$	High Time for 1000BASE-T <sup>1</sup>	3.6	4.0	4.4	
$T_{RISE}/T_{FALL}$	Rise/Fall Time (20–80%)	—	—	0.75	

1. Duty cycle may be stretched/shrunk during speed changes or while transitioning to a received packet's clock domain as long as minimum duty cycle is not violated and stretching occurs for no more than three  $T_{CYCLE}$  of the lowest speed transitioned between.

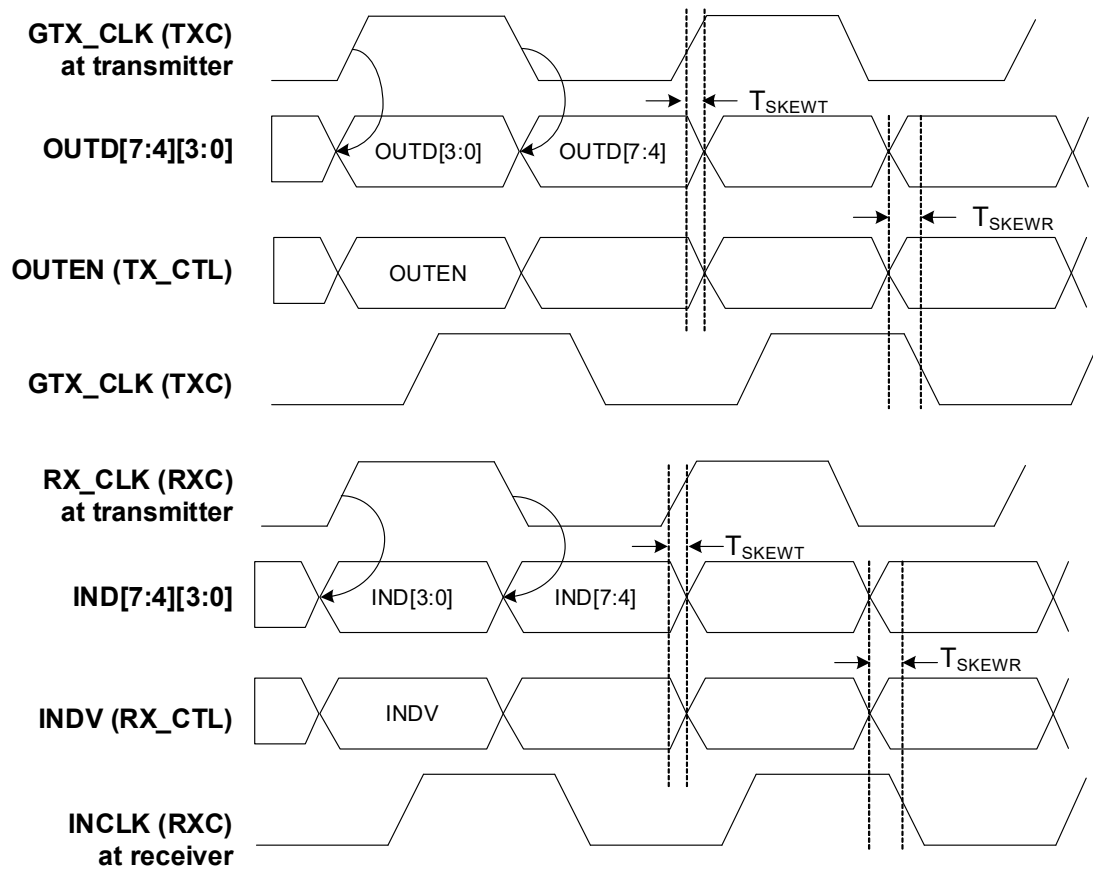


Figure 8. RGMII Multiplexing and Timing

### 3.5.5. SPI Timing

(Over full range of values listed in [Table 55, Recommended Operating Conditions](#) unless specified.)

Table 66. SCLK Cycle Time Configurable Range

Symbol	Parameter	Condition	Min	Typ	Max	Units
$T_{SCLK}$	SoC SPI SCLK cycle time	100 MHz SoC SPI controller input clock	20	—	655,340	ns
$T_{SCLK}$	SM SPI SCLK cycle time	25 MHz SM SPI controller input clock	80	—	2,621,360	

(Over full range of values listed in [Table 55, Recommended Operating Conditions](#) unless specified.)

Table 67. Motorola SPI Mode 0/2 Timing

Symbol	Parameter	Condition	Min	Typ	Max	Units
$T_{LS1}$	Time from SSn assertion to the first SCLK active edge	The first SPI cycle in a transfer	—	1.5	—	$T_{SCLK}$
		Subsequent SPI cycles	—	0.5	—	
$T_{LS2}$	Time from the last SCLK inactive edge to SSn de-assertion	Other than the last SPI cycle	—	0.5	—	
		The last SPI cycle in a transfer	—	1.0	—	
$T_{CH}$	SCLK high time	—	—	0.5	—	
$T_{CL}$	SCLK low time	—	—	0.5	—	
$T_{LH}$	SSn de-assertion Time between SPI cycles	If Tx FIFO is not empty at the end of the previous SPI cycle	—	0.5	—	
		If Tx FIFO is empty	2	—	—	
$T_{SET}$	Setup time MISO with regard to SCLK active edge	—	13.8	—	—	ns
$T_{HOLD}$	Hold time MISO with regard to SCLK active edge	—	0	—	—	
$T_{VAL1}$	Time from SSn assertion to MOSI MSB valid	The first SPI cycle in a transfer	—	1	—	$T_{SCLK}$
		Subsequent SPI cycles	—	0	—	
$T_{VAL2}$	Time from SCLK inactive edge to MOSI data valid	—	0.12	—	1.28	ns



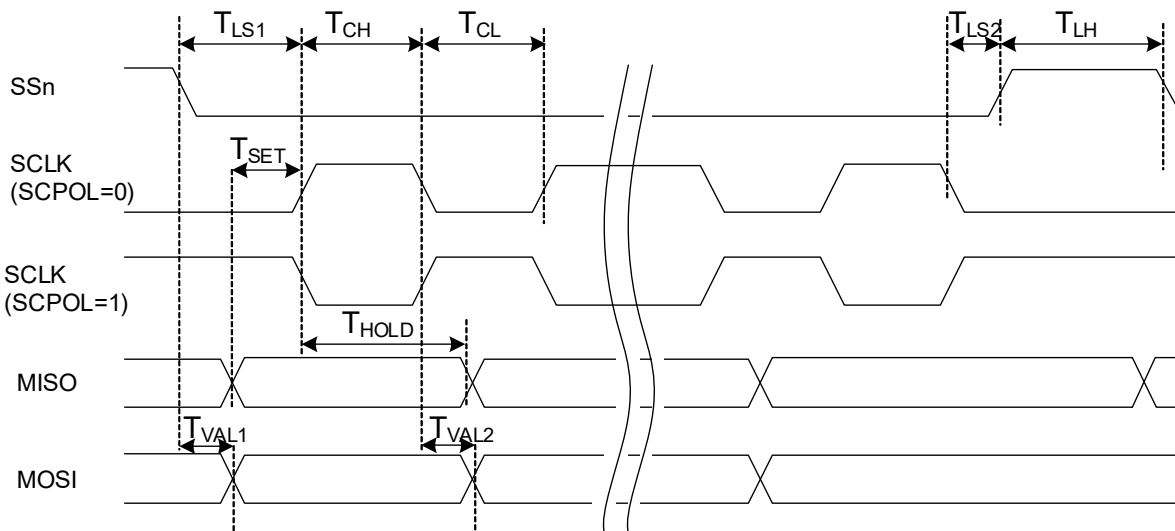


Figure 9. Motorola SPI Mode 0/2 (SCPH = 0)

(Over full range of values listed in [Table 55, Recommended Operating Conditions](#) unless specified.)

Table 68. Motorola SPI Mode 1/3 Timing

Symbol	Parameter	Condition	Min	Typ	Max	Units
$T_{LS1}$	Time from SSn assertion to the first SCLK active edge	—	—	1.0	—	$T_{SCLK}$
$T_{LS2}$	Time from the last SCLK inactive edge to SSn de-assertion	—	—	1.0	—	
$T_{CH}$	SCLK high time	—	—	0.5	—	
$T_{CL}$	SCLK low time	—	—	0.5	—	
$T_{LH}$	SSn de-assertion Time between SPI cycles	If Tx FIFO is not empty at the end of the previous SPI cycle	—	0	—	$T_{SCLK}$
		If Tx FIFO is empty	1.5	—	—	
$T_{SET}$	Setup time MISO with regard to SCLK active edge	—	—	30	—	ns
$T_{HOLD}$	Hold time MISO with regard to SCLK active edge	—	—	30	—	
$T_{VAL1}$	Time from SSn assertion to MOSI MSB valid	The first SPI cycle in a transfer	—	1	—	$T_{SCLK}$
		Subsequent SPI cycles	—	0	—	
$T_{VAL2}$	Time from SCLK inactive edge to MOSI data valid	—	—	0.5	—	ns

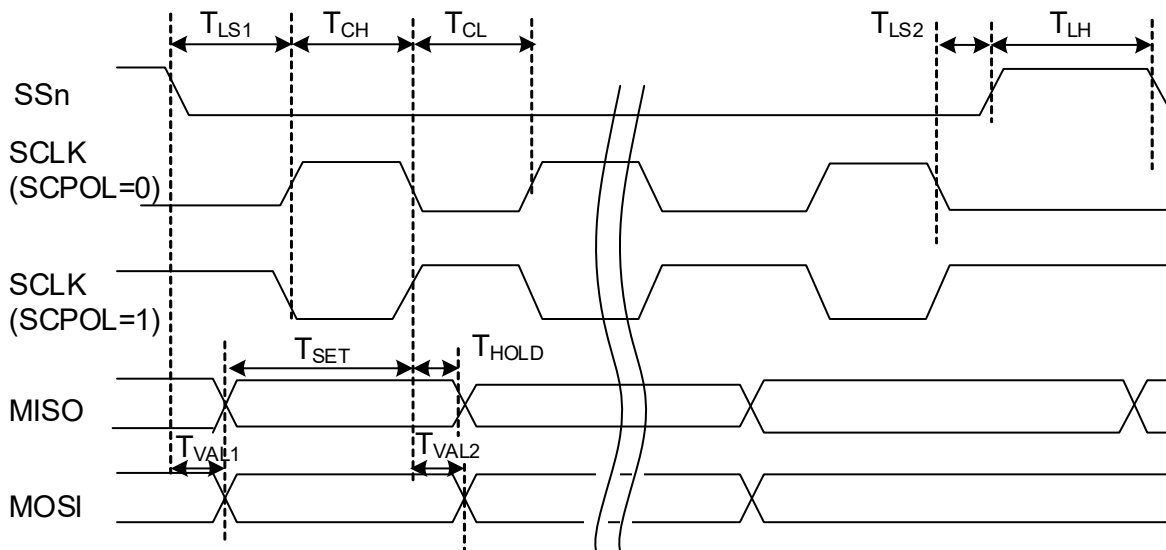


Figure 10. Motorola SPI Mode 1/3 (SCPH = 1)

### 3.5.6. UART Timing

(Over full range of values listed in [Table 55, Recommended Operating Conditions](#) unless specified.)

Table 69. UART Timing

Symbol	Parameter	Condition	Min	Typ <sup>1</sup>	Max	Units
—	Tx bit width	±5%	—	8.68	—	μs
—	Rx bit width	±5%	—	8.68	—	

1. The typical values are for 115.2 kbaud. Other baud rates may apply.

### 3.5.7. JTAG Timing

(Over full range of values listed in [Table 55, Recommended Operating Conditions](#) unless specified.)

Table 70. JTAG Timing

Symbol	Parameter	Condition	Min	Typ	Max	Units
$T_{CLK}$	Clock cycle	—	—	200	—	ns
$T_{ISTRSTn}$	Set-up time for TRSTn	—	25%	—	—	$T_{clk}$
$T_{IHTRSTn}$	Hold time for TRSTn	—	0	—	—	ns
$T_{ISTDI}$	Set-up time for TDI	—	30%	—	—	$T_{clk}$
$T_{IHTDI}$	Hold time for TDI	—	0	—	—	ns
$T_{OHTDO}$	Hold time for TDO	—	0	—	—	
$T_{OVTDO}$	Data valid time for TDO	—	—	—	65%	$T_{clk}$
$T_{RJT}$	Rise time for all I/O	20-80%	10	—	—	ns
$T_{FJT}$	Fall time for all I/Os	80-20%	10	—	—	

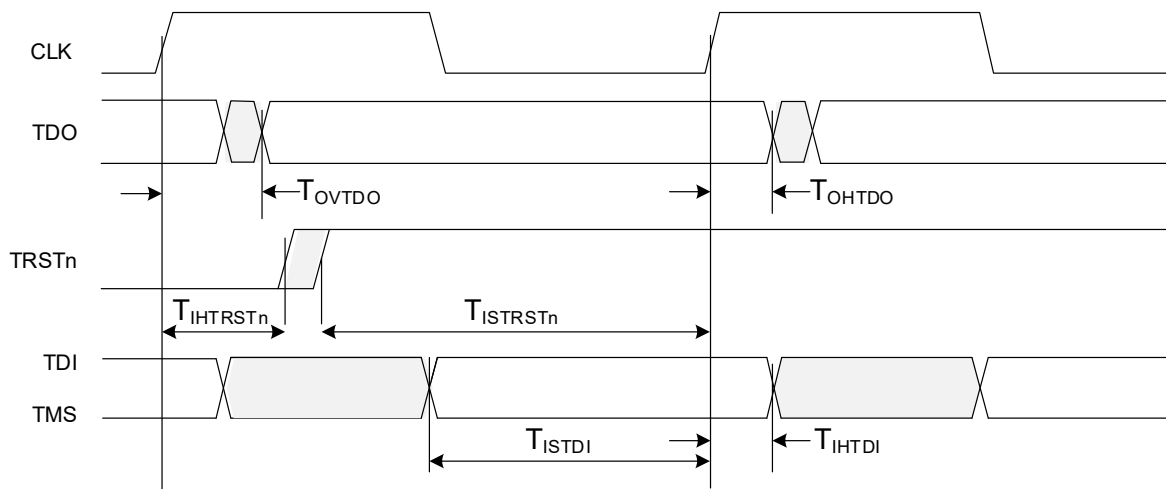


Figure 11. JTAG Timing

### 3.5.8. Transport Stream Serial Input Timing

(Over full range of values listed in Table 55, Recommended Operating Conditions unless specified.)

Table 71. Transport Stream Serial Input Timing

Symbol	Parameter	Condition	Min	Typ	Max	Units
$f_{CLK}^1$	Input Clock Frequency	—	—	27	100	MHz
—	Clock Duty Cycle	—	30	50	70	%
$T_{IS}$	Transport Stream Serial Input set-up time for STS_DATA, STS_VALID, and STS_SOP	—	1	—	—	ns
$T_{IH}$	Transport Stream Serial Input hold time for STS_DATA, STS_VALID, and STS_SOP	—	1	—	—	

1.  $f_{clk} = 1/t_{clk}$

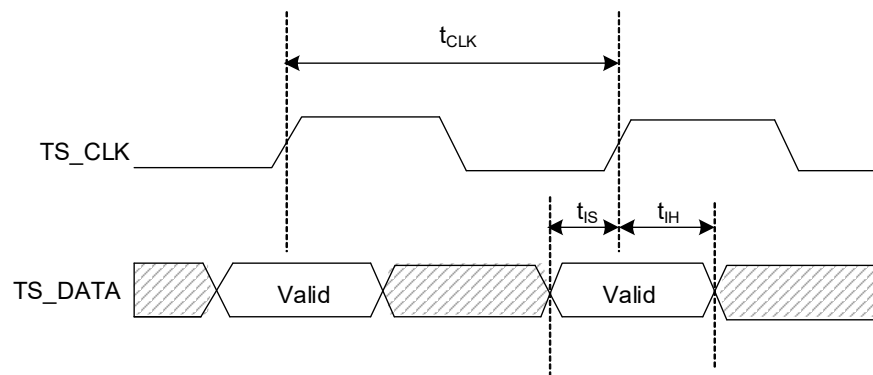


Figure 12. Transport Stream Serial Input Timing

### 3.5.9. I2S Timing

#### 3.5.9.1. I2S Master Mode Timing

(Over full range of values listed in Table 55, Recommended Operating Conditions unless specified.)

Table 72. I2S Master Mode Timing

Symbol	Parameter	Condition	Min	Typ	Max	Units
$F_{BCLK}$	BCLK Frequency	—	16Fs	—	64Fs	Hz
$F_{BCLK\_PCM}$	BCLK Frequency in PCM Mono mode	—	8Fs	—	256Fs	
$F_{BCLK\_TDM}$	BCLK Frequency in TDM mode	—	16Fs	—	256Fs	
$F_S$	—	—	32	—	192	kHz
$D_{BCLK}$	BCLK duty cycle	—	—	50	—	%
$T_{SDPD}^1$	BCLK rising edge to SDATA output valid	—	—	$2T_{AIOSYSCLK}$	—	ns
$T_{LRPD}$	BCLK rising edge to LRCK valid	—	—	$2T_{AIOSYSCLK}$	—	
$T_{SDS}$	Set-up time SDATA input with regard to BCLK rising edge	—	—	$-3T_{AIOSYSCLK}^2$	—	
$T_{SDH}$	Hold time SDATA Input with regard to BCLK rising edge	—	—	$4T_{AIOSYSCLK}^2$	—	
$F_{MCLK}$	MCLK (not shown) output frequency	—	6.144	24.576	49.152	MHz
$DMCLK$	MCLK output duty cycle	—	—	50	—	%

1. BCLK may be inverted for more balanced setup and hold times.
2. Default AIOSYSCLK frequency is 400MHz.

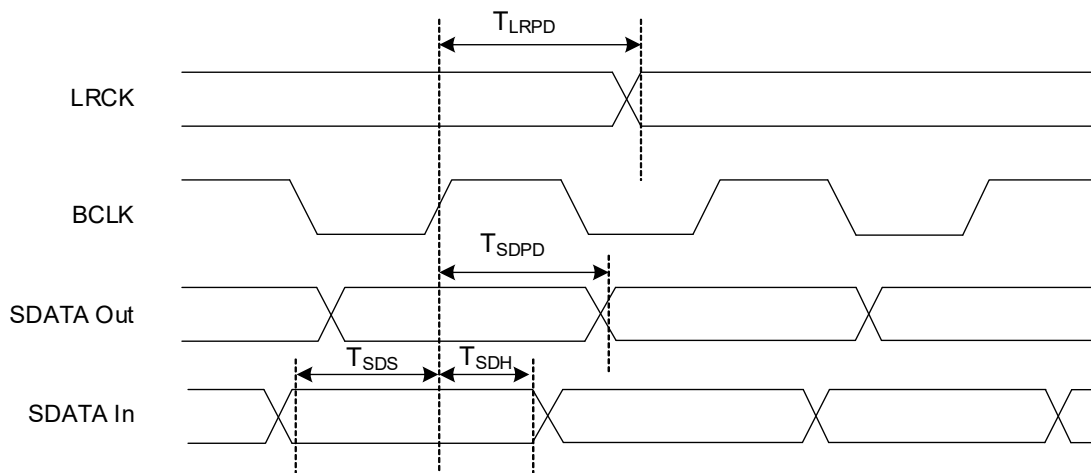


Figure 13. I2S Master Mode Timing

### 3.5.9.2. I2S Slave Mode Timing

(Over full range of values listed in [Table 55, Recommended Operating Conditions](#) unless specified.)

Table 73. I2S Slave Mode Timing

Symbol	Parameter	Condition	Min	Typ	Max	Units
$F_{BCLK}$	BCLK Frequency	—	16Fs	—	64Fs	Hz
$F_{BCLK\_PCM}$	BCLK Frequency in PCM Mono mode	—	8Fs	—	256Fs	
$F_{BCLK\_TDM}$	BCLK Frequency in TDM mode	—	16Fs	—	256Fs	
$F_s$	—	—	32	—	192	kHz
$D_{BCLK}$	BCLK duty cycle	—	—	50	—	%
$T_{LRS}$	Setup time LRCK input with regard to BCLK active edge	—	—	$-3T_{AIO\text{SYSCLK}}^1$	—	ns
$T_{LRH}$	Hold time LRCK input with regard to BCLK active edge	—	—	$4T_{AIO\text{SYSCLK}}^1$	—	
$T_{SDS}$	Setup time SDATA Input with regard to BCLK active edge	—	—	$-3T_{AIO\text{SYSCLK}}^1$	—	
$T_{SDH}$	Hold time SDATA Input with regard to BCLK active edge	—	—	$4T_{AIO\text{SYSCLK}}^1$	—	
$F_{MCLK}$	MCLK (not shown) input frequency	—	—	24.576	49.152	MHz
$D_{MCLK}$	MCLK input duty cycle	—	—	50	—	%

1. Default AIO SYSCLK frequency is 400MHz.

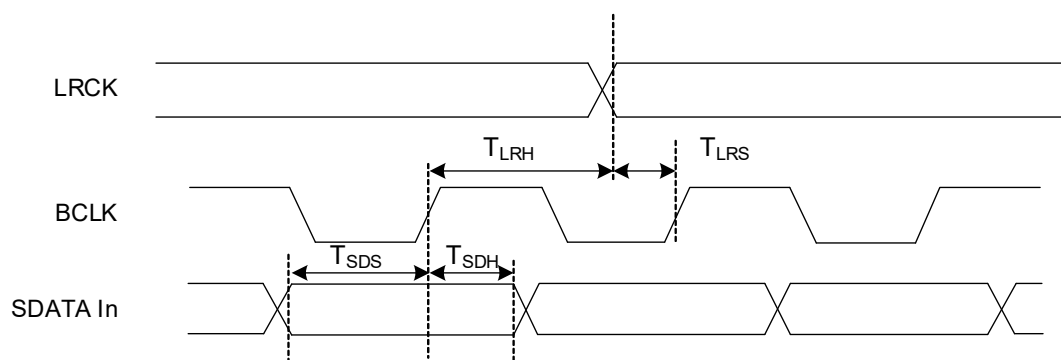


Figure 14. I2S Slave Mode Timing

### 3.5.10. Pulse-Width Modulation (PWM) Timing

(Over full range of values listed in [Table 55, Recommended Operating Conditions](#) unless specified.)

Table 74. PWM Timing

Symbol	Parameter	Condition	Min	Typ	Max	Units
T <sub>PERIOD</sub>	PWM	With 2-bit resolution	20ns	–	81.92μs	–
		With 16-bit resolution	655.35μs	–	2.684s	–
–	PWM Duty Cycle	–	0	–	100	%
–	PWM Duty Cycle Resolution	–	2	–	16	bit

### 3.5.11. ADC Inputs

#### 3.5.11.1. ADC Electrical Information

(Over full range of values listed in the [Table 55, Recommended Operating Conditions](#) unless specified.)

Table 75. ADC Electrical Specifications

Symbol	Parameter	Min	Typ	Max	Units
T <sub>OUT</sub>	Digitalization Time	0.11	–	20	μs
V <sub>ADCIN_FS</sub>	ADC_IN (analog input) full-scale voltage	–	–	1.2	V
–	Resolution	6	12	12	bits
INL	Integral Nonlinearity (INL)	–	–	±2.2	LSB
DNL	Differential Nonlinearity (DNL)	-0.97	–	1.9	LSB
OSE	Offset error	–	–	±0.7	%FS

### 3.5.12. USB 2.0 Timing

#### 3.5.12.1. USB 2.0 DC Characteristics

(Over full range of values listed in Table 55, Recommended Operating Conditions unless otherwise specified.)

Table 76. USB 2.0 DC Electrical

Symbol	Parameter	Condition	Min	Typ	Max	Units
$V_{IH}$	High (driven)	Note <sup>1</sup>	2.0	–	–	V
$V_{IHZ}$	High (floating)		2.7	–	3.6	
$V_{IL}$	Low		–	–	0.8	
$V_{DI}$	Differential Input Sensitivity	$ (D+)-(D-) $ Note <sup>1</sup>	0.2	–	–	
$V_{CM}$	Differential Common Mode Range	Includes VDI range Note <sup>1</sup>	0.8	–	2.5	
<b>Input Levels for High-speed:</b>						
$V_{HSSQ}$	High-speed squelch detection threshold (differential signal amplitude)	–	100	–	150	mV
$V_{HSDSC}$	High-speed disconnect detection threshold (differential signal amplitude)	–	525	–	625	
$V_{HSCM}$	High-speed data signaling common mode voltage range (guideline for receiver)	–	-50	–	500	
<b>Output Levels for Full-speed:</b>						
$V_{OL}$	Low	Note <sup>1</sup> , Note <sup>2</sup>	0.0	–	0.3	V
$V_{OH}$	High (Driven)	Note <sup>1</sup> , Note <sup>3</sup>	2.8	–	3.6	
$V_{OSE1}$	SE1	–	0.8	–	–	
$V_{CRS}$	Output Signal Crossover voltage	Note <sup>4</sup>	1.3	–	2.0	
<b>Output Levels for High-speed:</b>						
$V_{HSOI}$	High-speed idle level	–	-10.0	–	10.0	mV
$V_{HSOH}$	High-speed data signaling high	–	360	–	440	
$V_{HSOL}$	High-speed data signaling low	–	-10.0	–	10.0	
$V_{CHIRPJ}$	Chirp J level (differential voltage)	–	700	–	1100	
$V_{CHIRPK}$	Chirp K level (differential voltage)	–	-900	–	-500	
<b>Input Capacitance for Full-speed:</b>						
$C_{IND}$	Downstream Facing Port	Note <sup>5</sup>	–	–	150	pF
$C_{INUB}$	Upstream Facing Port (without cable)	Note <sup>6</sup>	–	–	100	
$C_{EDGE}$	Transceiver edge rate control capacitance	–	–	–	75	



Table 76. USB 2.0 DC Electrical (Continued)

Symbol	Parameter	Condition	Min	Typ	Max	Units
Terminations:						
R <sub>PU</sub>	Bus pull-up Resistor on Upstream facing port	1.5 kohm ±5%	1.425	—	1.575	kohm
R <sub>PD</sub>	Bus pull-down Resistor on Downstream Facing Port	15 kohm ±5%	14.25	—	15.75	
Z <sub>INP</sub>	Input impedance exclusive of pull-up/pull-down (for full-speed)	—	300	—	—	
V <sub>TERM</sub>	Termination voltage for upstream facing port pull-up (R <sub>PU</sub> )	—	3.0	—	3.6	V
Termination in High-speed:						
V <sub>HSTERM</sub>	Termination voltage in high-speed	—	-10	—	10	mV

1. Measured at A or B connector.
2. Measured with RL of 1.425 kohm to 3.6V.
3. Measured with RL of 14.25 kohm to GND.
4. Excluding the first transition from the idle state.
5. Measured at A receptacle.
6. Measured at B receptacle.

### 3.5.12.2. USB 2.0 Source Electrical Characteristics

(Over full range of values listed in [Table 55, Recommended Operating Conditions](#) unless otherwise specified.)

Table 77. USB High-speed Source Electrical Characteristics

Symbol	Parameter	Condition	Min	Typ	Max	Units
<b>Driver Characteristics:</b>						
T <sub>HSR</sub>	Rise Time (10%–90%)	—	500	—	—	ps
T <sub>HSF</sub>	Fall Time (10%–90%)	—	500	—	—	ps
Z <sub>HSDRV</sub>	Driver Output Resistance (which also serves as high speed termination)	—	40.5	—	49.5	ohm
<b>Clock Timings:</b>						
T <sub>HSDRAT</sub>	High-speed Data Rate	—	479.760	—	480.240	Mbps
T <sub>HSFRAM</sub>	Microframe Interval	—	124.9375	—	125.0625	ms
T <sub>HRSFI</sub>	Consecutive Microframe Interval Difference	—	—	—	4 high-speed bit times	—

Table 78. USB Full-speed Source Electrical Characteristics

Symbol	Parameter	Condition	Min	Typ	Max	Units
<b>Driver Characteristics:</b>						
$T_{FR}$	Rise Time	—	4	—	20	ns
$T_{FF}$	Fall Time	—	4	—	20	ns
$T_{FRFM}$	Differential Rise and Fall Time Matching	$T_{FR}/T_{FF}$ Note <sup>1</sup>	90	—	111.11	%
$Z_{DRV}$	Driver Output Resistance for driver which is not high-speed capable.	—	28	—	44	ohm
<b>Clock Timings:</b>						
$T_{FDRATHS}$	Full-speed Data Rate for hubs and devices which are high speed capable.	Average bit rate	11.9940	—	12.0060	Mbps
$T_{FDRATE}$	Full-speed Data Rate for devices which are high-speed capable.	Average bit rate	11.9700	—	12.0300	Mbps
$T_{FRAME}$	Frame Interval	—	0.9995	—	1.0005	ms
$T_{RFI}$	Consecutive Frame Interval Jitter	No clock adjustment	—	—	42	ns
<b>Full-speed Data Timings:</b>						
$T_{DJ1}$	Source Jitter Total (including frequency tolerance): To Next Transition	Note <sup>1</sup> Note <sup>2</sup> Note <sup>3</sup>	-3.5	—	3.5	ns
$T_{DJ2}$	For Paired transitions	Note <sup>4</sup>	-4	—	4	
$T_{FDEOP}$	Source Jitter for Differential Transition to SEO Transition	Note <sup>3</sup>	-2	—	5	
$T_{JR1}$	Receiver jitter: To Next Transition	Note <sup>3</sup>	-18.5	—	18.5	
$T_{JR2}$	For Paired Transitions	—	-9	—	9	
$T_{FEOPT}$	Source SEO interval of EOP	—	160	—	175	
$T_{FEOPR}$	Receiver SEO interval of EOP	Note <sup>5</sup>	82	—	—	
$T_{FST}$	Width of SEO interval during differential transition	—	—	—	14	

1. Excluding the first transition from the idle state.
2. Timing difference between the differential data signals.
3. Measured at crossover point of differential data signals.
4. For both transitions of differential signaling.
5. Must accept as valid EOP.

### 3.5.13. PCIe Timing

For electrical specifications (2.5 and 5.0GT/s), refer to *PCI Express® Base Specification Revision 2.0*.

### 3.5.14. HDMI TX

#### 3.5.14.1. HDMI TX DC Operating Conditions

(Over full range of values listed in Table 55, Recommended Operating Conditions unless specified.)

Table 79. HDMI TX DC Operating Conditions for HDMI 1.4b

Symbol	Parameter	Condition	Min	Typ	Max	Units
$V_{OFF}$	Single-ended standby (off) output voltage	—	$AV_{CC}-10$	—	$AV_{CC}+10$	mV
$V_{SWING}$	Single-ended output swing voltage	—	400	—	600	
$V_H$	Single-ended high level output voltage	If attached Sink supports only $\leq 165$ MHz	$AV_{CC}-10$	—	$AV_{CC}+10$	
		If attached Sink supports $> 165$ MHz	$AV_{CC}-200$	—	$AV_{CC}+10$	
$V_L$	Single-ended low level output voltage	If attached Sink supports only $\leq 165$ MHz	$AV_{CC}-600$	—	$AV_{CC}-400$	
		If attached Sink supports $> 165$ MHz	$AV_{CC}-700$	—	$AV_{CC}-400$	

Table 80. HDMI TX DC Characteristics for  $3.4\text{Gbps} < R_{bit} \leq 6.0\text{Gbps}$  at TP1

Symbol	Parameter	Condition	Min	Typ	Max	Units
$V_{SWING}$	Single-ended output swing voltage: Data channels 0, 1, 2	—	400	—	600	mV
	Single-ended output swing voltage: Clock channel	—	200	—	600	
$V_H$	Single-ended high level output voltage: Data channels 0, 1, 2	—	$AV_{CC}-400$	—	$AV_{CC}+10$	
	Single-ended high level output voltage: Clock channel	—	$AV_{CC}-400$	—	$AV_{CC}+10$	
$V_L$	Single-ended low level output voltage: Data channels 0, 1, 2	—	$AV_{CC}-1000$	—	$AV_{CC}-400$	
	Single-ended low level output voltage: Clock channel	—	$AV_{CC}-1000$	—	$AV_{CC}-200$	

### 3.5.14.2. HDMI TX AC Operating Conditions

(Over full range of values listed in [Table 55, Recommended Operating Conditions](#) unless specified.)

Table 81. HDMI TX AC Operating Conditions for 1.4b

Symbol	Parameter	Condition	Min	Typ	Max	Units
—	Rise time / fall time (20%-80%)	—	75	—	—	ps
—	Intra-Pair Skew at Source Connector	—	—	—	0.15	$T_{bit}$
—	Inter-Pair Skew at Source Connector	—	—	—	0.20	$T_{character}$
—	Clock duty cycle	—	40	50	60	%
—	TMDS Differential Clock Jitter	—	—	—	0.25	$T_{bit}$

Table 82. HDMI TX AC Characteristics for  $3.4\text{Gbps} < R_{bit} \leq 6.0\text{Gbps}$  at TP1

Symbol	Parameter	Condition	Min	Typ	Max	Units
—	Rise time / fall time (20%-80%): Data channels 0, 1, 2	—	42.5	—	—	ps
—	Rise time / fall time (20%-80%): Clock Channel	—	75	—	—	ps
—	Intra-Pair Skew at Source Connector	—	—	—	0.15	$T_{bit}$
—	Inter-Pair Skew at Source Connector	—	—	—	0.20	$T_{character}$
—	Clock duty cycle	—	40	50	60	%
—	TMDS Differential Clock Jitter	At TP2_EQ	—	—	0.30	$T_{bit}$

### 3.5.15. HDMI RX

#### 3.5.15.1. HDMI RX DC Operating Conditions

(Over full range of values listed in [Table 55, Recommended Operating Conditions](#) unless specified.)

Table 83. HDMI RX DC Operating Conditions at TP2 (for reference only)

Symbol	Parameter	Condition	Min	Typ	Max	Units
$V_{diff}$	Input Differential Voltage Level	–	150	–	1200	mV
$V_{icm1}$	Input Common Mode Voltage	Sink supports >165 MHz	$AV_{cc}-400$	–	$AV_{cc}-37.5$	
$V_{icm2}$	Input Common Mode Voltage (AC coupled)	–	$AV_{cc}-10$	–	$AV_{cc}+10$	
–	Differential Voltage Level	Source disabled or disconnected	$AV_{cc}-10$	–	$AV_{cc}+10$	

#### 3.5.15.2. HDMI RX AC Operating Conditions

(Over full range of values listed in [Table 55, Recommended Operating Conditions](#) unless specified.)

Table 84. HDMI RX AC Operating Conditions at TP2 (for reference only)

Symbol	Parameter	Condition	Min	Typ	Max	Units
–	Minimum differential sensitivity	–	–	–	150	mV
–	Maximum differential input	–	1560	–	–	mV
–	Max allowable Intra-pair Skew at Sink connector	For TMDS Clock rates 222.75MHz and below	0.4	–	–	$T_{bit}$
		For TMDS Clock rates above 222.75MHz	$0.15T_{bit}+112$	–	–	ps
–	Max allowable Inter-pair Skew at Sink connector	–	$0.2T_{character}+1.78$	–	–	ns
–	TMDS Clock Jitter	See HDMI spec for conditions	–	–	0.30	$T_{bit}$

### 3.5.16. LPDDR4 Timing

(Over full range of values listed in [Table 55, Recommended Operating Conditions](#) unless specified.)

Refer to JESD209-4A for LPDDR4 SDRAM specification.

### 3.5.17. eMMC Timing

(Over full range of values listed in [Table 55, Recommended Operating Conditions](#) unless specified.)

#### 3.5.17.1. eMMC Timing - Default Bus

Table 85. eMMC Timing - Default Bus

Symbol	Parameter	Condition	Min	Typ	Max	Units
$f_{PP}$	Clock Frequency Data Transfer Mode 3	—	0	—	26	MHz
$f_{OD}$	Clock Frequency Identification Mode	—	0	—	400	kHz
$t_{WL}$	Clock Low time	—	10	—	—	ns
$t_{WH}$	Clock High time	—	10	—	—	
$t_{TLH}$	Clock Rise time	—	0.4	—	1.32	
$t_{THL}$	Clock Fall time	—	0.4	—	1.32	
<b>Inputs DAT (referenced to Clock):</b>						
$t_{ISU}$	Input Setup time	—	Note <sup>1</sup>	—	—	ns
$t_{IH}$	Input Hold time	—	Note <sup>1</sup>	—	—	
<b>Outputs CMD, DAT (referenced to Clock):</b>						
$t_{ODLY}$	Output Delay time	—	Note <sup>1</sup>	—	—	ns

1. Refer to JEDEC Standard No. 84-B51 for eMMC timing specifications.

## 3.5.17.2. eMMC Timing - High-Speed Bus

Table 86. eMMC Timing - High-Speed Bus

Symbol	Parameter	Condition	Min	Typ	Max	Units
$f_{PP}$	Clock Frequency Data Transfer Mode 3	—	0	—	52	MHz
$f_{OD}$	Clock Frequency Identification Mode	—	0	—	400	kHz
$t_{WL}$	Clock Low time	—	—	—	—	ns
$t_{WH}$	Clock High time	—	—	—	—	
$t_{TLH}$	Clock Rise time	—	0.4	—	1.32	
$t_{THL}$	Clock Fall time	—	0.4	—	1.32	
<b>Inputs DAT (referenced to Clock):</b>						
$t_{ISU}$	Input Setup time	—	Note <sup>1</sup>	—	—	ns
$t_{IH}$	Input Hold time	—	Note <sup>1</sup>	—	—	
<b>Outputs CMD, DAT (referenced to Clock):</b>						
$t_{ODLY}$	Output Delay time	Data Transfer Mode	Note <sup>1</sup>	—	—	ns
$t_{RISE}$	Signal Rise time	—	0.4	—	1.32	
$t_{FALL}$	Signal Fall time	—	0.4	—	1.32	

1. Refer to JEDEC Standard No. 84-B51 for eMMC timing specifications.

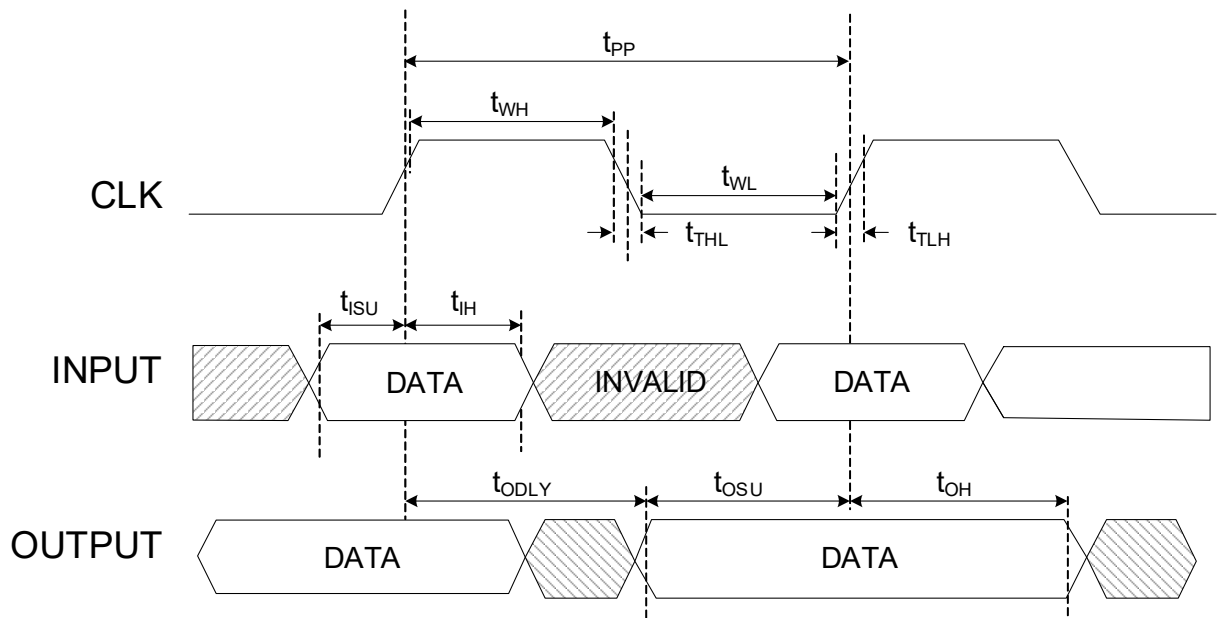


Figure 15. eMMC Timing - Default Bus and High-Speed Bus Interface Timing

**Note:** Refer to JEDEC Standard No. 84-B51 for eMMC timing specifications.

### 3.5.17.3. eMMC Timing - High-Speed Dual Rate Bus

Table 87. eMMC Timing - High-Speed Dual Rate Bus

Symbol	Parameter	Condition	Min	Typ	Max	Units
—	Clock Frequency	—	45	—	55	MHz
<b>Inputs DAT (referenced to Clock):</b>						
$t_{ISU}$	Input Setup time	—	Note <sup>1</sup>	—	—	ns
$t_{IH}$	Input Hold time	—	Note <sup>1</sup>	—	—	
<b>Outputs CMD, DAT (referenced to Clock):</b>						
$t_{ODLY}$	Output Clock Delay	Data Transfer Mode	Note <sup>1</sup>	—	—	ns
$t_{RISE}$	Signal Rise Time	—	0.4	—	1.32	
$t_{FALL}$	Signal Fall Time	—	0.4	—	1.32	

1. Refer to JEDEC Standard No. 84-B51 for eMMC timing specifications.

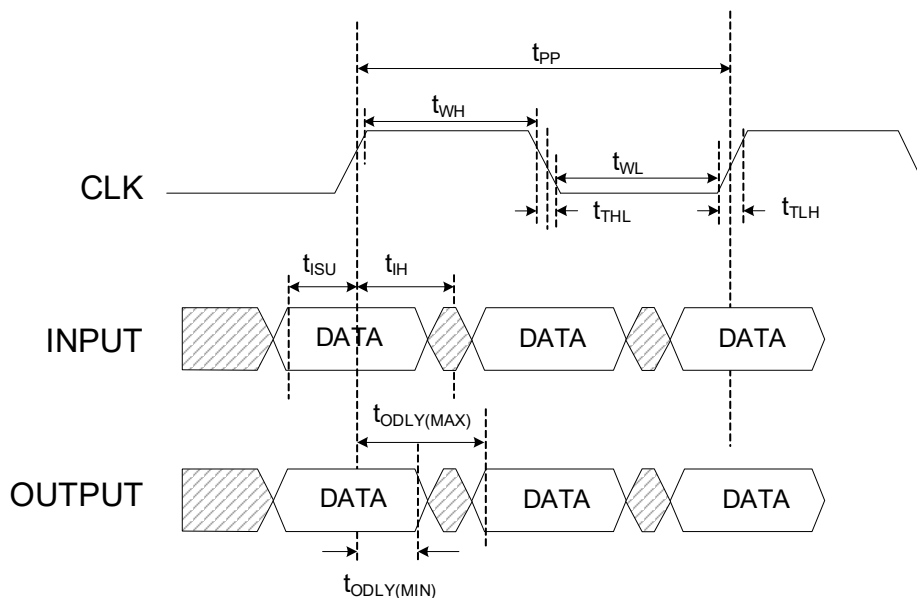


Figure 16. eMMC Timing - High-Speed Dual Rate Interface Timing

### 3.5.17.4. eMMC Timing - HS200 Mode & HS400 Mode

Refer to JEDEC Standard No. 84-B51 for eMMC timing specifications.

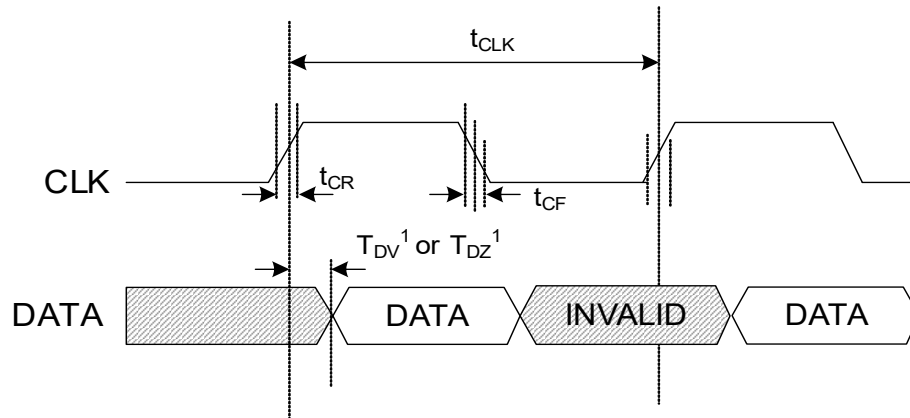


### 3.5.18. Pulse Density Modulation

Table 88. Pulse Density Modulation (Classic PDM) Timing Parameters - SDR Mode

Symbol	Parameter	Condition	Min	Typ	Max	Units
$f_{\text{CLK}}^1$	PDM Clock Frequency	—	—	—	$F_{\text{AIOSYSCLK}}/4^2$	MHz
$t_{\text{D}}$	Clock Duty Cycle	—	—	50	—	%
$t_{\text{CR}}$	Input Clock Rise Time	10 - 90%	—	—	$T_{\text{AIOSYSCLK}}^2$	ns
$t_{\text{CF}}$	Input Clock Fall Time	90 - 10%	—	—	$T_{\text{AIOSYSCLK}}^2$	ns

- $f_{\text{CLK}} = 1/t_{\text{CLK}}$
- Default  $F_{\text{AIOSYSCLK}}$  is 400MHz.



- PDM data sampling point is configurable across the  $t_{\text{CLK}}$  period.

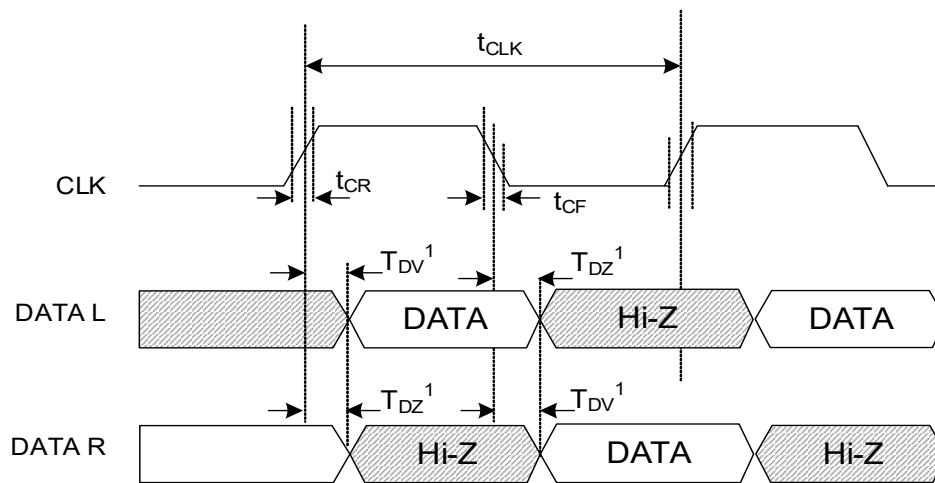
Figure 17. PDM Timing - SDR Mode

Table 89. Pulse Density Modulation (Half Cycle PDM) Timing Parameters - DDR Mode

Symbol	Parameter	Condition	Min	Typ	Max	Units
$f_{CLK}^1$	PDM Clock Frequency	—	—	—	$F_{AIOSYSCLK}/4^2$	MHz
$t_D$	Clock Duty Cycle	—	—	50	—	%
$t_{CR}$	Input Clock Rise Time	10 - 90%	—	—	$T_{AIOSYSCLK}^2$	ns
$t_{CF}$	Input Clock Fall Time	90 - 10%	—	—	$T_{AIOSYSCLK}^2$	ns

1.  $f_{CLK} = 1/t_{CLK}$

2. Default  $F_{AIOSYSCLK}$  is 400MHz.



1. PDM data sampling point is configurable across the  $t_{CLK}$  period.

Figure 18. PDM Timing - DDR Mode

### 3.5.19. MIPI DSI Characteristics

#### 3.5.19.1. Input DC Specifications

Table 90 describes the Input DC Specifications.

Table 90. Input DC Specifications

Symbol	Parameter	Condition	Min	Typ	Max	Units
<b>Apply to DATAOP/N Inputs:</b>						
$V_I$	Input signal voltage range	—	-50	—	1350	mV
$I_{LEAK}$	Input leakage current	$V_{GNDSH(min)} \leq V_I \leq V_{GNDSH(max)} + V_{OH(absmax)}$ Lane module in LP receive mode	-10	—	10	$\mu$ A
$V_{GNDSH}$	Ground shift	—	-50	—	50	mV
$V_{OH(absmax)}$	Transient pin voltage level	—	-0.15	—	1.45	V
$t_{VOH(absmax)}$	Maximum transient time above $V_{OH(absmax)}$	—	—	—	20	ns

#### 3.5.19.2. MIPI DSI HS Line Drivers DC Specifications

Table 91. MIPI DSI HS Line Drivers DC Specifications

Symbol	Parameter	Condition	Min	Typ	Max	Units
$ V_{OD} $	HS Transmit Differential output voltage magnitude	$80 \Omega \leq R_L \leq 125 \Omega$	140	200	270	mV
$\Delta V_{OD} $	Change in Differential output voltage magnitude between logic states	$80 \Omega \leq R_L \leq 125 \Omega$	—	—	14	
$V_{CMTX}$	Steady-state common-mode output voltage	$80 \Omega \leq R_L \leq 125 \Omega$	150	200	250	
$\Delta V_{CMTX(1,0)}$	Changes in steady-state common-mode output voltage between logic states	$80 \Omega \leq R_L \leq 125 \Omega$	—	—	5	
$V_{OHHS}$	HS output high voltage	$80 \Omega \leq R_L \leq 125 \Omega$	—	—	360	
$Z_{OS}$	Single-ended output impedance	—	40	50	62.5	$\Omega$
$\Delta Z_{OS}$	Single-ended output impedance mismatch	—	—	—	10	%

### 3.5.19.3. MIPI DSI LP Line Drivers DC Specifications

Table 92. MIPI DSI LP Line Drivers DC Specifications

Symbol	Parameter	Condition	Min	Typ	Max	Units
$V_{OL}$	Output low-level SE voltage	—	-50	—	50	mV
$V_{OH}$	Output high-level SE voltage	—	1.1	1.2	1.3	V
$Z_{OLP}$	Single-ended output impedance	—	110	—	—	$\Omega$
$\Delta Z_{OLP(01,10)}$	Single-ended output impedance mismatch driving opposite level	—	—	—	20	%
$\Delta Z_{OLP(00,11)}$	Single-ended output impedance mismatch driving same level	—	—	—	5	%

### 3.5.19.4. MIPI DSI LP Line Receiver DC Specifications

Table 93. MIPI DSI LP Line Receiver DC Specifications

Symbol	Parameter	Condition	Min	Typ	Max	Units
$V_{IL}$	Input low voltage, not in ULPS	—	—	—	550	mV
$V_{IL-ULPS}$	Logic 0 input voltage, ULPS	—	—	—	300	
$V_{IH}$	Input high voltage	—	740	—	—	
$V_{HYST}$	Input hysteresis	—	25	—	—	

### 3.5.19.5. MIPI DSI Contention Line Receiver DC Specifications

Table 94. MIPI DSI Contention Line Receiver DC Specifications

Symbol	Parameter	Condition	Min	Typ	Max	Units
$V_{ILF}$	Input low fault threshold	—	—	—	200	mV
$V_{IHF}$	Input high fault threshold	—	450	—	—	

### 3.5.19.6. MIPI DSI Clock Signal and Data-Clock Timing Specifications

Table 95. MIPI DSI Clock Timing

Symbol	Parameter	Min	Typ	Max	Units	Notes
—	Maximum Serial Data rate (forward direction)	80	—	2500	Mbps	<b>Condition:</b> On DATAP/N outputs. $80 \Omega \leq R_L \leq 125 \Omega$
$F_{DDRCLK}$	DDR CLK frequency	40	—	1250	MHz	<b>Condition:</b> On CLKP/N outputs.
$T_{DDRCLK}$	DDR CLK period	0.8	—	25	ns	<b>Condition:</b> $80 \Omega \leq R_L \leq 125 \Omega$
$UI_{INST}$	UI instantaneous	0.4	—	12.5	ns	The Max value corresponds to a minimum Mbps data rate.
$\Delta UI$	UI variation	-10%	—	10%	UI	—
$t_{CDC}$	DDR CLK duty cycle	—	50	—	%	<b>Condition:</b> $t_{CDC} = t_{CPH} / T_{DDRCLK}$
$t_{CPH}$	DDR CLK high time	—	1	—	UI	—
$t_{CPL}$	DDR CLK low time	—	1	—	UI	—

### 3.5.19.7. MIPI DSI HS Line Drivers AC Specifications

Table 96. MIPI DSI HS Line Drivers AC Specifications

Symbol	Parameter	Min	Typ	Max	Units	Notes
$t_r$	Differential output signal rise time	—	—	0.30	UI	<b>Condition:</b> 20% to 80%, $R_L = 50 \Omega$ For PHY operating at or below 1Gbps
		—	—	0.35	UI	For PHY operating above 1Gbps and below or at 1.5Gbps
		100	—	—	ps	For PHY operating below or at 1.5Gbps
$t_f$	Differential output signal fall time	—	—	0.30	UI	<b>Condition:</b> 20% to 80%, $R_L = 50 \Omega$ For PHY operating at or below 1Gbps
		—	—	0.35	UI	For PHY operating above 1Gbps and below or at 1.5Gbps
		100	—	—	ps	For PHY operating below or at 1.5Gbps

### 3.5.19.8. MIPI DSI LP Line Driver and Receiver AC Specifications

For MIPI DSI LP line driver and receiver AC specifications, refer to the *MIPI D-PHY Specification v2*.

### 3.5.20. MIPI CSI Characteristics

#### 3.5.20.1. Input DC Specifications

Table 97. Input DC Specifications

Symbol	Parameter	Min	Typ	Max	Units	Notes
<b>Apply to CLKP/N and DATAP/N Inputs:</b>						
$V_{PIN}$	Pin signal voltage range	-50	—	1350	mV	—
$I_{LEAK}$	Pin leakage current	-10	—	10	$\mu$ A	$V_{GNDSH(min)} \leq V_{PIN} \leq V_{GNDSH(max)} + V_{OH(absmax)}$ Lane module in LP receive mode
$V_{GNDSH}$	Ground shift	-50	—	50	mV	—
$V_{PIN(absmax)}$	Transient pin voltage level	-0.15	—	1.45	V	—
$V_{PIN(absmax)}$	Maximum transient time above $V_{OH(absmax)}$	—	—	20	ns	The voltage overshoot and undershoot beyond the $V_{PIN}$ is only allowed during a single 20ns window after any LP-0 to LP-1 transition or vice versa. For all other situations the voltage overshoot and undershoot must stay within the $V_{PIN}$ range.

#### 3.5.20.2. HS Line Receiver DC Specifications

Table 98. HS Line Receiver DC Specifications

Symbol	Parameter	Min	Typ	Max	Units	Notes
$V_{IDTH}$	Differential input high voltage threshold	—	—	70	mV	D-PHY spec 1.1 compatibility mode ( $\leq 1.5$ Gbps)
		—	—	40		In case of High-speed deskew calibration ( $> 1.5$ Gbps)
$V_{IDTL}$	Differential input low voltage threshold	-70	—	—		D-PHY spec 1.1 compatibility mode ( $\leq 1.5$ Gbps)
		-40	—	—		In case of High-speed deskew calibration ( $> 1.5$ Gbps)
$V_{IHHS}$	Single ended input high voltage	—	—	460		Excluding possible additional RF interference of 100mV peak sine wave beyond 450MHz.
$V_{ILHS}$	Single ended input low voltage	-40	—	—		
$V_{CMRXDC}$	Input common mode voltage	70	—	330	Excluding possible additional RF interference of 100mV peak sine wave beyond 450MHz. This table value includes a ground difference of 50mV between the transmitter and the receiver, the static common-mode level tolerance and variations below 450MHz.	
$Z_{ID}$	Differential input impedance	80	100	125	$\Omega$	—

### 3.5.20.3. LP Line Drivers DC Specifications

Table 99 describes the LP Line Drivers DC Specifications.

Table 99. LP Line Drivers DC Specifications

Symbol	Parameter	Min	Typ	Max	Units
$V_{OL}$	Output low-level SE voltage	-50	—	50	mV
$V_{OH}$	Output high-level SE voltage	1.1	1.2	1.3	V
$Z_{OLP}$	Single-ended output impedance	110	—	—	$\Omega$

### 3.5.20.4. LP Line Receiver DC Specifications

Table 100 describes the LP Line Receiver DC Specifications.

Table 100. LP Line Receiver DC Specifications

Symbol	Parameter	Min	Typ	Max	Units
$V_{IL}$	Input low voltage	—	—	550	mV
$V_{IH}$	Input high voltage	740	—	—	mV
$V_{IL-ULPS}$	Logic 0 input voltage, ULPS	—	—	300	mV
$V_{HYST}$	Input hysteresis	25	—	—	mV

### 3.5.20.5. Contention Line Receiver DC Specifications

Table 101 describes the Contention Line Receiver DC Specifications.

Table 101. Contention Line Receiver DC Specifications

Symbol	Parameter	Min	Typ	Max	Units
$V_{ILF}$	Input low fault threshold	—	—	200	mV
$V_{IHF}$	Input high fault threshold	450	—	—	mV

### 3.5.20.6. MIPI CSI Clock Signal and Data-Clock Timing Specifications

Table 102. High Speed Clock Timings

Symbol	Parameter	Condition	Min	Typ	Max	Units	Notes
—	Maximum Serial Data rate (forward direction)	On DATAP/N outputs. $80 \Omega \leq R_L \leq 125 \Omega$	80	—	2500	Mbps	
F <sub>DDRCLK</sub>	DDR CLK frequency	On CLKP/N outputs	40	—	1250	MHz	
T <sub>DDRCLK</sub>	DDR CLK period	$80 \Omega \leq R_L \leq 125 \Omega$	0.8	—	25	ns	
U <sub>IINST</sub>	UI instantaneous	—	0.4	—	12.5	ns	This value corresponds to a minimum Mbps data rate.
t <sub>CDC</sub>	DDR CLK duty cycle	$t_{CDC} = t_{CPH} / T_{DDRCLK}$	—	50	—	%	
t <sub>CPH</sub>	DDR CLK high time	—	—	1	—	UI	
t <sub>CPL</sub>	DDR CLK low time	—	—	1	—	UI	
—	DDR CLK / DATA Jitter	—	—	75	—	ps pk-pk	When UI < 1ns, within a single burst.
T <sub>SETUP[RX]</sub>	Data to Clock Setup Time (RX)	—	0.15	—	—	UI	For PHY operating at or below 1Gbps
		—	0.20	—	—		For PHY operating above 1Gbps and below or at 1.5Gbps
T <sub>HOLD[RX]</sub>	Data to Clock Hold Time (RX)	—	0.15	—	—		For PHY operating at or below 1Gbps
		—	0.20	—	—		For PHY operating above 1Gbps below or at 1.5Gbps
T <sub>SKEW[RX] static</sub>	Static Data to Clock Skew RX Tolerance	—	-0.30	—	0.30		For PHY operating above 1.5Gbps and below or at 2.5Gbps
T <sub>SKEW[RX] dynamic</sub>	Dynamic Data to Clock Skew Window RX Tolerance	—	0.50	—	—		For PHY operating above 1.5Gbps and below or at 2.5Gbps

### 3.5.20.7. MIPI CSI LP Line Drivers AC Specifications

For MIPI CSI LP Line Drivers AC Specifications, refer to the *MIPI D-PHY Specification v2*.

### 3.5.20.8. MIPI CSI LP Line Receivers AC Specifications

For MIPI CSI LP Line Receivers AC Specifications, refer to the *MIPI D-PHY Specification v2*.



## 4. Mechanical Drawing

### 4.1. SL1680 Package Drawing

**Note:** The drawings in [Figure 19](#), [Figure 20](#), and [Figure 21](#) are not to scale.

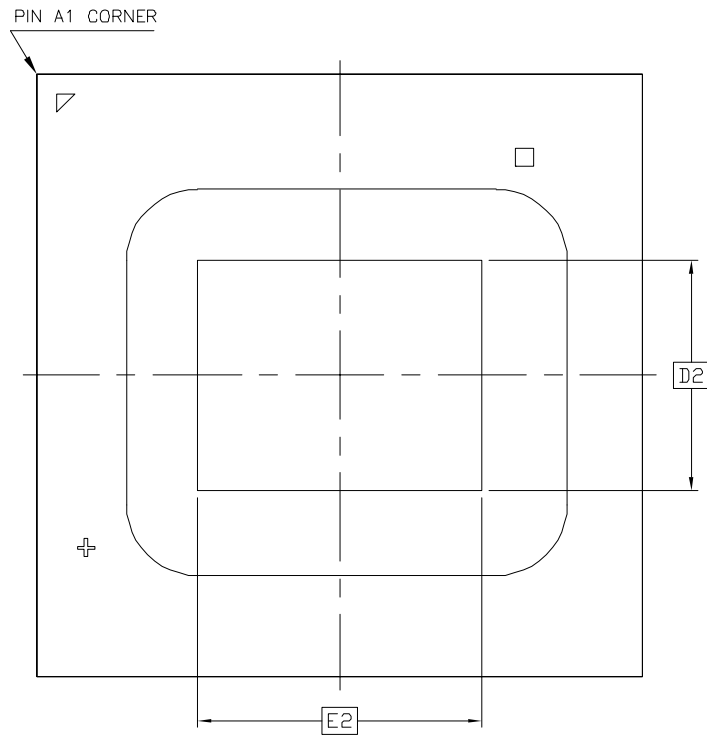


Figure 19. SL1680 Top View

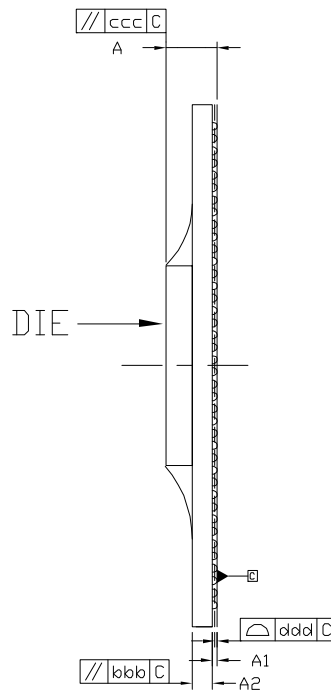


Figure 20. SL1680 Side View

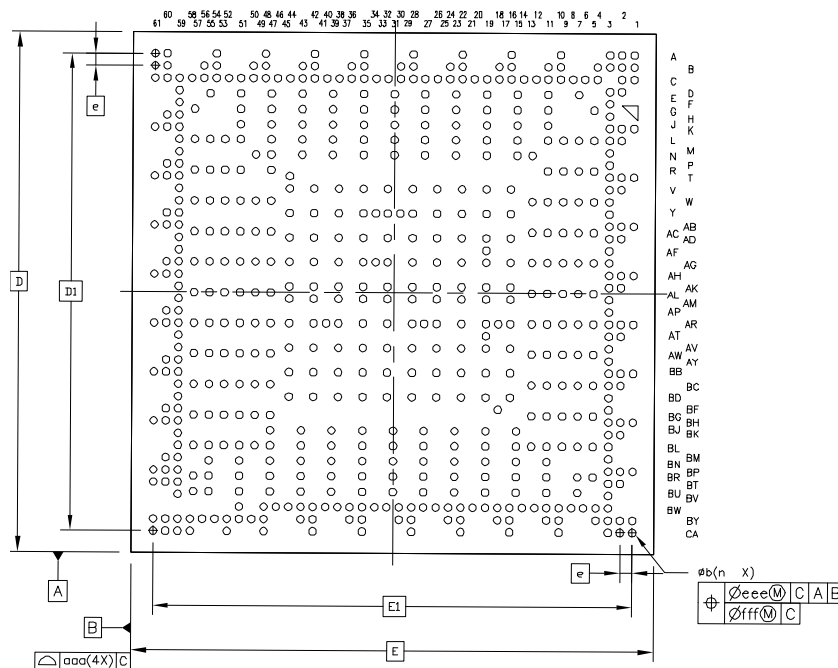


Figure 21. SL1680 Bottom View

	Symbol	Common Dimensions		
		Min	Typ	Max
Total Thickness	A	1.585	1.692	1.799
Stand Off	A1	0.110	0.160	0.210
Substrate Thickness	A2	0.662 REF		
Thickness from Substrate Surface to Die Backside	A3	0.870 REF		
Body Size	D	17.000 BSC		
	E	17.000 BSC		
Ball Diameter		0.250		
Ball Width	b	0.200	0.250	0.300
Ball Pitch	e	0.400 BSC		
Ball Count	n	605		
Edge Ball Center to Center	D1	15.600 BSC		
	E1	15.600 BSC		
Expose Die Size	D2	6.520 BSC		
	E2	7.980 BSC		
Package Edge Tolerance	aaa	0.150		
Substrate Parallelism	bbb	0.200		
Top Parallelism	ccc	0.250		
Coplanarity	ddd	0.080		
Ball Offset (Package)	eee	0.150		
Ball Offset (Ball)	fff	0.050		

## 5. Part Order Numbering / Package Marking

### 5.1. Part Order Numbering

Table 103 provides a list of the available options for ordering.

Table 103. SL1680 Part Order Options

Package Type	Part Number	Description
605-pin FCBGA	SL1680A1-BYKXSZZ-T000-T	Consumer grade; available now.
605-pin FCBGA	SL1680A1-BYKXSZZ-H000-T	Industrial grade; available in Q3, 2024.

### 5.2. Package Marking

Figure 22 shows a sample package marking and pin 1 location for the SL1680 device.



Figure 22. Package Marking and Pin 1 Location

## 6. References

---

- *SL1680 Embedded IoT Processor Functional Description* (PN: 505-001414-01)  
Provides a functional description of the SL1680 device core.
- *Synaptics General Guide for Soldering SMD to PC Boards Application Note* (PN: 506-001443-01)
- *Synaptics General ESD/EOS Control Methods Application Note* (PN: 506-001454-01)
- MIPI D-PHY Specification v2.
- PV Compensation Application Note.
- PCI Express<sup>®</sup> Base Specification Revision 2.0
- JESD209-4A Specification.
- JESD51-12.01 Specification.

## 7. Revision History

Last Modified	Revision	Description
March 2024	A	Release to production.

## Copyright

Copyright © 2024 Synaptics, Incorporated. All Rights Reserved.

## Trademarks

Synaptics; the Synaptics logo; Qdeo, QDEO logo, and SyNAP are trademarks or registered trademarks of Synaptics Incorporated in the United States and/or other countries.

Arm, Cortex, NEON, CoreSight, and TrustZone are registered trademarks or trademarks of Arm Limited (or its subsidiaries) in the US and/or elsewhere. Bluetooth is a registered trademark of the Bluetooth Special Interest Group (SIG). TensorFlow is a trademark of Google, Inc. OpenGL ES is a trademark or registered trademark of Hewlett Packard Enterprise in the United States and/or other countries worldwide. OpenCL and the OpenCL logo are trademarks of Apple Inc. used by permission by Khronos. Vulkan and the Vulkan logo are registered trademarks of the Khronos Group Inc. Imagination and PowerVR are trademarks or registered trademarks of Imagination Technologies Limited. MIPI DSI and MIPI CSI2 are service marks of MIPI Alliance. PCI Express and PCI-e are registered trademarks of PCI-SIG. All other trademarks are the properties of their respective owners. All other trademarks are the properties of their respective owners.

## Notice

Use of the materials may require a license of intellectual property from a third party or from Synaptics. This document conveys no express or implied licenses to any intellectual property rights belonging to Synaptics or any other party. Synaptics may, from time to time and at its sole option, update the information contained in this document without notice.

INFORMATION CONTAINED IN THIS DOCUMENT IS PROVIDED "AS-IS," WITH NO EXPRESS OR IMPLIED WARRANTIES, INCLUDING ANY IMPLIED WARRANTIES OF MERCHANTABILITY AND FITNESS FOR A PARTICULAR PURPOSE, AND ANY WARRANTIES OF NON-INFRINGEMENT OF ANY INTELLECTUAL PROPERTY RIGHTS. IN NO EVENT SHALL SYNAPTICS BE LIABLE FOR ANY DIRECT, INDIRECT, INCIDENTAL, SPECIAL, PUNITIVE, OR CONSEQUENTIAL DAMAGES ARISING OUT OF OR IN CONNECTION WITH THE USE OF THE INFORMATION CONTAINED IN THIS DOCUMENT, HOWEVER CAUSED AND BASED ON ANY THEORY OF LIABILITY, WHETHER IN AN ACTION OF CONTRACT, NEGLIGENCE OR OTHER TORTIOUS ACTION, AND EVEN IF SYNAPTICS WAS ADVISED OF THE POSSIBILITY OF SUCH DAMAGE. IF A TRIBUNAL OF COMPETENT JURISDICTION DOES NOT PERMIT THE DISCLAIMER OF DIRECT DAMAGES OR ANY OTHER DAMAGES, SYNAPTICS' TOTAL CUMULATIVE LIABILITY TO ANY PARTY SHALL NOT EXCEED ONE HUNDRED U.S. DOLLARS.

## Contact Us

Visit our website at [www.synaptics.com](http://www.synaptics.com) to locate the Synaptics office nearest you.

